

# BUSCHJOST 82530 SERIES

2/2 - way valves DN 10



For neutral gases and liquids  
Solenoid actuated, with forced lifting  
Diaphragm valves  
Suitable for vacuum  
Functional design  
Compact solenoid with integrated core tube  
Valve operates without differential pressure  
Operating pressure: 0 - 20 bar with alternating current and NBR sealing

## TECHNICAL DATA

Solenoid valve for air, water, oil and other neutral fluids

**Switching function:**  
Normally closed

**Flow direction:**  
Determined

**Internal thread:**  
G1/4 ... G1/2 or 1/4 NPT ... 1/2 NPT

**Operating pressure:**  
0 ... 10 bar

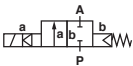
**Temperature:**  
Fluid: -10°C ... max. +90°C  
Ambient: -10°C ... max. +50°C

**Mounting position:**  
As required, preferably with solenoid vertical on top

## MATERIALS

Body: Brass, PA 66  
Seat seal: NBR  
Internal parts: Stainless steel, PVDF

For contaminated fluids the use of a strainer upstream of the valve is recommended.

Symbol	Port size	DN mm	Valve length mm	kv-value m <sup>3</sup> /h	MODELS	Operating pressure bar			
						NBR 00	FPM +110°C 03	EPDM +110°C 14	HNBR +150°C 51
	G1/4	10	44	1,5	82530XX.8001.00000	0 - 10	0 - 10	0 - 10	0 - 6
	G3/8	10	44	1,7	82531XX.8001.00000	0 - 10	0 - 10	0 - 10	0 - 6
	G1/2	10	60	1,7	82532XX.8001.00000	0 - 10	0 - 10	0 - 10	0 - 6

\* For orders please state voltage and frequency, e.g.: 8253000.8001.23050 for 230V 50Hz or 8253000.8001.02400 for 24V DC

## Solenoid 8001 (standard voltages)

DC	AC	
	50Hz	60Hz
24V	24V	-
-	110V	120V
-	230V	220V

## Power consumption

Solenoid	DC	AC	
		Inrush	Holding
8001	12W	-	-
8001	-	20VA	16VA

Design according to DIN VDE 0580  
Voltage range +/-10%, duty cycle 100%  
Protection class according to EN 60529: IP65  
Electrical connection Form A according to DIN EN 175301-803 (included)

For further information



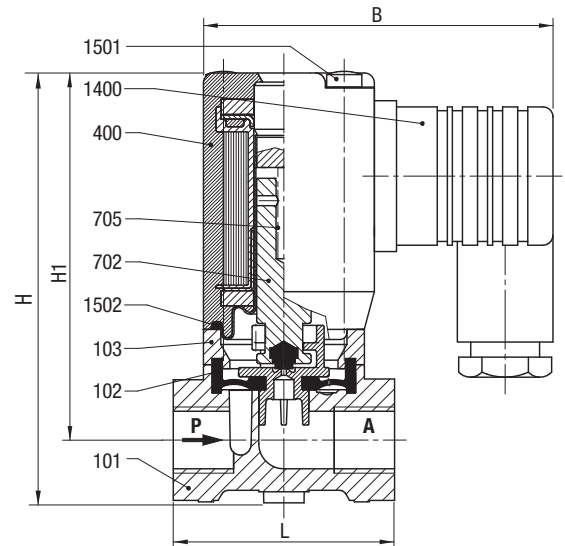
[www.norgren.com/info/en3-234](http://www.norgren.com/info/en3-234)

## DIMENSIONS

Index	Description
101	Valve body
*102	Diaphragm
103	Spacer
400	Solenoid
*702	Plunger
*705	Pressure spring
1400	Electrical connector
1501	Oval head cap screw
*1502	O-ring

\* A service kit consists of these individual parts

Port size	L mm	B mm	H mm	H1 mm
G1/4	44	70	85,5	73,0
G3/8	44	70	85,5	73,0
G1/2	60	70	88,5	74,5



## Service kits

For valves with solenoid 8001 and seal NBR	Part number
8253000	1256202
8253100	1256202
8253200	1256202
For valves with solenoid 8001 and seal FPM	Part number
8253003	1257116
8253103	1257116
8253203	1257116
For valves with solenoid 8001 and seal EPDM	Part number
8253014	1256745
8253114	1256745
8253214	1256745
For valves with solenoid 8001 and seal HNBR	Part number
8253051	1256761
8253151	1256761
8253251	1256761

## Further options (valves)

XXXXX18.XXXX	Degreased version, seat seal: FPM
XXXXX22.XXXX	Operating pressure 0 ... 20 bar; only for NBR and AC solenoid (not available with Ex solenoids)

## Further options (solenoids)

XXXXXX.8041	Solenoid in protection class $\text{Ex II 2 GD EEx me II T3 T 140}^\circ\text{C}$
-------------	---

## Further options on request

Body with 2x M5 fastening thread