

Diaphragm Valve, Metal

Construction

The GEMÜ 601, 612 and 673 manually operated diaphragm valves have a temperature resistant plastic handwheel, GEMÜ 602 has a stainless steel handwheel. Bonnet and internals are made all of stainless steel. An integral optical position indicator and a seal adjuster to increase service life of the diaphragm are included as standard.

Features

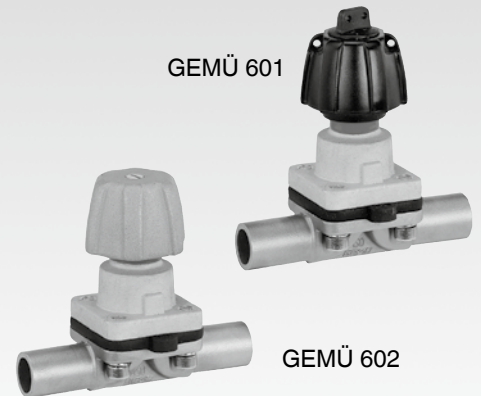
- Suitable for inert and corrosive* liquid and gaseous media
- Chemical resistance of bonnet
- CIP/SIP cleaning and sterilizing capabilities
- Autoclave capability
- Insensitive to particulate media
- Valve body and diaphragm available in various materials and designs
- Compact design (ideal when space is at a premium)
- Stepless minimum flow regulation due to seal adjuster

Advantages

- Hermetic separation between medium and actuator
- Optional flow direction
- Installation for an optimized draining is possible
- Long service life of the diaphragm due to patented seal adjuster (US-Pat. 5 377 956)
- Valve body also available in multi-port designs (M-block and T-body) or as tank bottom valve body

*see information on working medium on page 2

GEMÜ 601



GEMÜ 602

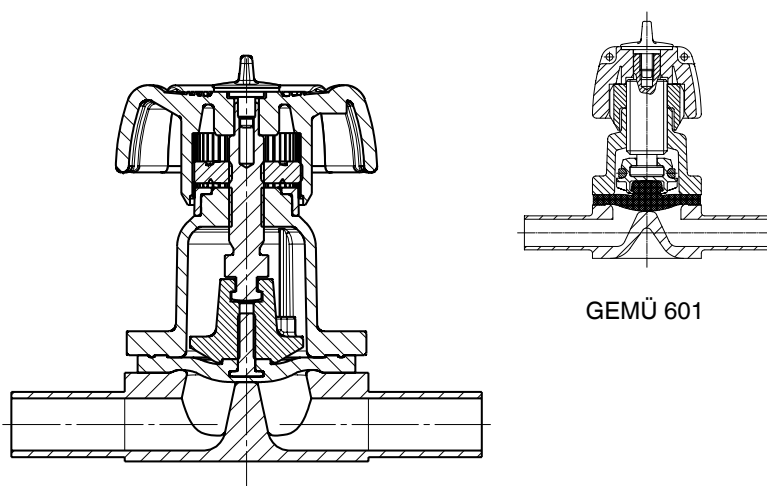


GEMÜ 612



GEMÜ 673

Sectional drawing



GEMÜ 601

GEMÜ 612

Technical data

Working medium

Corrosive, inert, gaseous and liquid media which have no negative impact on the physical and chemical properties of the body and diaphragm material.

Temperatures

Media temperature

FPM (Code 4/4A)	-10 ... 90 °C
EPDM (Code 13/3A)	-10 ... 100 °C
EPDM (Code 17)	-10 ... 100 °C
PTFE (Code 52/5A)	-10 ... 100 °C
PTFE (Code 5E)	-10 ... 100 °C

Sterilisation temperature ⁽¹⁾

FPM (Code 4/4A)	not applicable
EPDM (Code 13/3A)	max. 150 °C ⁽²⁾ , max. 60 min per cycle
EPDM (Code 17)	max. 150 °C ⁽²⁾ , max. 180 min per cycle
PTFE (Code 52/5A)	max. 150 °C ⁽²⁾ , no time limit per cycle
PTFE (Code 5E)	max. 150 °C ⁽²⁾ , no time limit per cycle

¹ The sterilisation temperature is valid for steam (saturated steam) or superheated water.

² If the sterilisation temperatures listed above are applied to the EPDM diaphragms for longer periods of time, the service life of the diaphragms will be reduced. In these cases, maintenance cycles must be adapted accordingly. This also applies to PTFE diaphragms exposed to high temperature fluctuations.

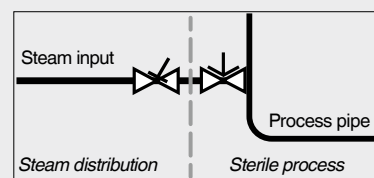
PTFE diaphragms can also be used as moisture barriers; however, this will reduce their service life.

The maintenance cycles must be adapted accordingly.

GEMÜ 555 and 505 globe valves are particularly suitable for use in the area of steam generation and distribution.

The following valve arrangement for interfaces between steam pipes and process pipes has proven itself over time:

A globe valve for shutting off steam pipes and a diaphragm valve as an interface to the process pipes.



Ambient temperature

0 ... 60 °C

Type	Diaphragm size	Nominal size DN	Max. operating pressure [bar]	
			EPDM / FPM	PTFE
GEMÜ 601/602	8	4, 6, 8, 10, 15	10	6
GEMÜ 612	10	10, 12, 15, 20	10	6
GEMÜ 673	25	15, 20, 25	10	6
	40	32, 40	10	6
	50	50	10	6

All pressures are gauge pressures. Operating pressure values were determined with static operating pressure applied on one side of a closed valve. Sealing at the valve seat and atmospheric sealing is ensured for the given values.

Information on operating pressures applied on both sides and for high purity media on request.

Technical data

Kv values [m³/h]

Type	MG	DN	DIN	EN 10357 Series B	EN 10357 Series A	DIN 11850 Series 3	SMS 3008	ASME BPE	ISO 1127 / EN 10357 Series C
			Code 0	Code 16	Code 17	Code 18	Code 37	Code 59	Code 60
GEMÜ 601/602	8	4	0.5	-	-	-	-	-	-
		6	1.1	-	-	-	-	-	1.2
		8	1.3	-	-	-	-	0.6	2.2
		10	-	2.1	2.1	2.1	-	1.3	-
		15	-	-	-	-	-	2.0	-
GEMÜ 612	10	10	-	2.4	2.4	2.4	-	2.2	3.3
		15	3.3	3.8	3.8	3.8	-	2.2	4.0
		20	-	-	-	-	-	3.8	-
GEMÜ 673	25	15	4.1	4.7	4.7	4.7	-	-	7.4
		20	6.3	7.0	7.0	7.0	-	4.4	13.2
		25	13.9	15.0	15.0	15.0	12.6	12.2	16.2
	40	32	25.3	27.0	27.0	27.0	26.2	-	30.0
		40	29.3	30.9	30.9	30.9	30.2	29.5	32.8
		50	46.5	48.4	48.4	48.4	51.7	50.6	55.2

Kv values determined acc. to DIN EN 60534, inlet pressure 5 bar, Δp 1 bar, stainless steel valve body and soft elastomer diaphragm.
 The Kv values for other product configurations (e.g. other diaphragm or body materials) may differ. In general, all diaphragms are subject to the influences of pressure, temperature, the process and their tightening torques. Therefore the Kv values may exceed the tolerance limits of the standard.
 MG = diaphragm size

Order data

Valve type	Code
GEMÜ 601 diaphragm size 8	601
GEMÜ 602 diaphragm size 8 stainless st. handwheel	602
GEMÜ 612 diaphragm size 10	612
GEMÜ 673 diaphragm size 25 - 50	673

Body configuration	Code
Tank valve body	B**
2/2-way body	D
Multi-port design	M**
T body	T*
* For dimensions see T Valves brochure	
** Dimensions and versions on request	

Connection	Code
Butt weld spigots	
Spigots DIN	0
Spigots EN 10357 series B	16
Spigots EN 10357 series A	17
Spigots DIN 11850 series 3	18
Spigots DIN 11866 series A	1A
Spigots DIN 11866 series B	1B
Spigots JIS-G 3447	35
Spigots JIS-G 3459	36
Spigots SMS 3008	37
Spigots BS 4825 Part 1	55
Spigots ASME BPE	59
Spigots ISO 1127 / EN 10357 series C	60
Spigots ANSI/ASME B36.19M Schedule 10s	63
Spigots ANSI/ASME B36.19M Schedule 40s	65
Threaded connections	
Threaded sockets DIN ISO 228	1
Threaded spigots DIN 11851	6
One side threaded spigot, other side cone spigot and union nut, DIN 11851	62
Aseptic unions on request	
Flanges (GEMÜ 673)	
Flanges EN 1092 / PN16 / form B, length EN 558, series 1, ISO 5752, basic series 1	8
Flanges ANSI Class 150 RF, length MSS SP-88	38
Flanges ANSI Class 125/150 RF, length EN 558, series 1, ISO 5752, basic series 1	39
Clamp connections	
Clamps ASME BPE for pipe ASME BPE, length ASME BPE	80
Clamps DIN 32676 series B for pipe EN ISO 1127, length EN 558, series 7	82
Clamps ASME BPE for pipe ASME BPE, length EN 558, series 7	88
Clamps DIN 32676 series A for pipe DIN 11850, length EN 558, series 7	8A
Clamps SMS 3017 for pipe SMS 3008, length EN 558, series 7	8E
For overview of available valve bodies see page 12	

Valve body material	Code
EN-GJS-400-18-LT (SG iron 40.3) PFA lined	17
EN-GJS-400-18-LT (SG iron 40.3) PP lined	18
1.4435 - BN2 (CF3M), investment casting Fe<0.5%	32
1.4435 (ASTM A 351 CF3M, Δ 316L), investment casting	34
1.4408, investment casting	37
1.4435 (316L), forged body	40
1.4435 (BN2), forged body Fe<0.5%	42
1.4539, forged body	F4

Diaphragm material	Code
FPM	4 4A*
EPDM	13 3A*
EPDM	17 17*
PTFE/EPDM convex, PTFE loose	5E -
PTFE/EPDM, PTFE lamin.	52** 5A*
* for diaphragm size 8 ** for diaphragm size 10	
Material complies with FDA requirements, except codes 4 and 4A	

Control function	Code
Manually operated	0

Bonnet version	Code
With seal adjuster, black handwheel GEMÜ 601 diaphragm size 8	0TS
With seal adjuster, metal handwheel GEMÜ 602 diaphragm size 8	0TM
With seal adjuster, black handwheel GEMÜ 612 diaphragm size 10	1TS
With seal adjuster, black handwheel GEMÜ 673 diaphragm size 25	2TS
With seal adjuster, black handwheel GEMÜ 673 diaphragm size 40	3TS
With seal adjuster, black handwheel GEMÜ 673 diaphragm size 50	4TS

Order data

Valve body surface finish, internal contour

	Hygienic class DIN 11866	Designation ASME BPE (2014)	Forged body Code 40, 42, F4	Investment casting Code 32, 34	Code
Ra ≤ 6,3 μm (250 μinch) for media wetted surfaces, blasted internal/external	-	-	-	X	1500
Ra ≤ 0,8 μm (30 μinch) for media wetted surfaces, mechanically polished internal	H3	SF3	X	X	1502
Ra ≤ 0,8 μm (30 μinch) for media wetted surfaces, electropolished internal/external	HE3	-	X	-	1503
Ra ≤ 0,6 μm (25 μinch) for media wetted surfaces, mechanically polished internal	-	SF2	X*	X*	1507
Ra ≤ 0,6 μm (25 μinch) for media wetted surfaces, electropolished internal/external	-	SF6	X*	-	1508
Ra ≤ 0,5 μm (20 μinch) for media wetted surfaces, mechanically polished internal	-	SF1	X*	-	1927
Ra ≤ 0,5 μm (20 μinch) for media wetted surfaces, electropolished internal/external	-	SF5	X*	-	1928
Ra ≤ 0,4 μm (15 μinch) for media wetted surfaces, mechanically polished internal	H4	-	X*	-	1536
Ra ≤ 0,4 μm (15 μinch) for media wetted surfaces, electropolished internal/external	HE4	-	X*	-	1537
Ra ≤ 0,4 μm (15 μinch) for media wetted surfaces, electropolished internal/external	-	SF4	X*	-	1929
Ra ≤ 0,25 μm (10 μinch) for media wetted surfaces, electropolished internal/external	HE5	-	X*	-	1516
Ra ≤ 0,25 μm (10 μinch) for media wetted surfaces, mechanically polished internal	H5	-	X*	-	1527

Ra acc. to DIN 4768; at defined reference points.

* For pipe inside diameter < 6 mm, the surface inside the spigot is Ra ≤ 0.8 μm.

Order data

Special function	Code
3-A compliant design	M

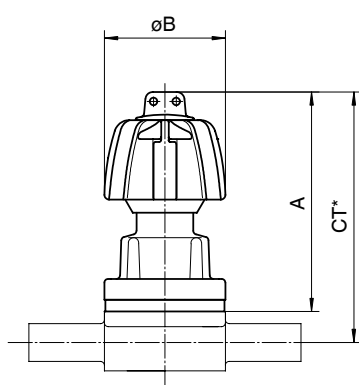
Order example	601	8	D	60	34	5A	0	0TS	1500	M
Type	601									
Nominal size		8								
Body configuration (code)			D							
Connection (code)				60						
Valve body material (code)					34					
Diaphragm material (code)						5A				
Control function (code)							0			
Bonnet version (code)								0TS		
Surface finish (code)									1500	
Special function (code)										M

Dimensions [mm]

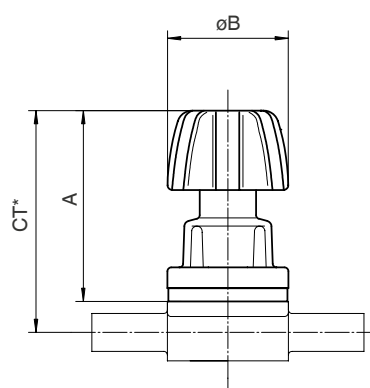
Bonnet dimensions

Type	Diaphragm size	A	Ø B	Weight [kg]
GEMÜ 601	8	58	32	0.10
GEMÜ 602	8	54	32	0.15
GEMÜ 612	10	80	60	0.40
GEMÜ 673	25	102	90	0.70
	40	119	114	1.30
	50	136	140	2.05

GEMÜ 601 / 602

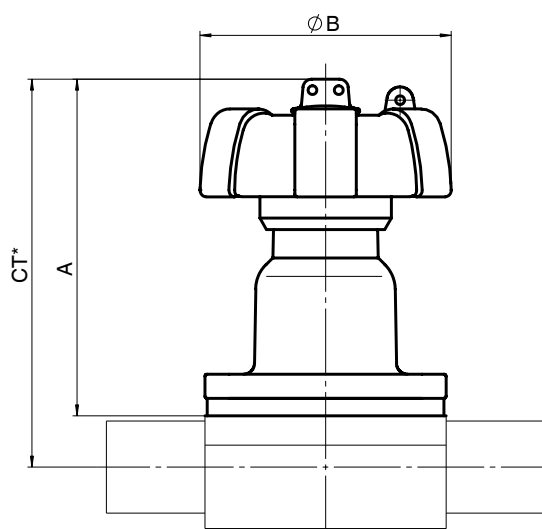


GEMÜ 601



GEMÜ 602

GEMÜ 612 / 673



* $CT = A + H1$ (see body dimensions)

Body dimensions [mm]

Butt weld spigots, connection code 0, 16, 17, 18 Valve body material: investment casting (code 34), forged body (code 40, F4)

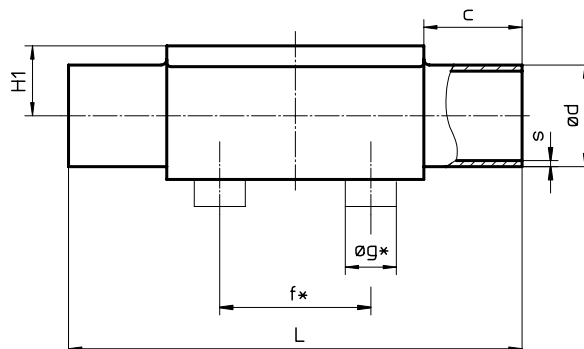
Type	MG	DN	NPS	f*	øg*	L	c	H1*	H1**	DIN Series 0 Code 0		EN 10357 Series B Code 16		EN 10357 Series A Code 17		DIN 11850 Series 3 Code 18		Weight [kg]
										ød	s	ød	s	ød	s	ød	s	
GEMÜ 601, 602	8	4	-	-	-	72	20	8.5		6	1.0	-	-	-	-	-	-	0.09
		6	-	-	-	72	20	8.5		8	1.0	-	-	-	-	-	-	0.09
		8	1/4"	-	-	72	20	8.5		10	1.0	-	-	-	-	-	-	0.09
		10	3/8"	-	-	72	20	8.5		-	-	12	1.0	13	1.5	14	2.0	0.09
		15	1/2"	-	-	72	20	8.5		-	-	-	-	-	-	-	-	0.09
GEMÜ 612	10	10	3/8"	30	13.5	108	25	12.5		-	-	12	1.0	13	1.5	14	2.0	0.30
		15	1/2"	30	13.5	108	25	12.5		18	1.5	18	1.0	19	1.5	20	2.0	0.30
		20	3/4"	30	13.5	108	25	12.5		-	-	-	-	-	-	-	-	0.30
GEMÜ 673	25	15	1/2"	40	13.5	120	25	13.0	19.0	18	1.5	18	1.0	19	1.5	20	2.0	0.62
		20	3/4"	40	13.5	120	25	16.0	19.0	22	1.5	22	1.0	23	1.5	24	2.0	0.58
		25	1"	40	13.5	120	25	19.0	19.0	28	1.5	28	1.0	29	1.5	30	2.0	0.55
	40	32	1 1/4"	68	13.5	153	25	24.0	26.0	34	1.5	34	1.0	35	1.5	36	2.0	1.45
		40	1 1/2"	75	13.5	153	25	26.0	26.0	40	1.5	40	1.0	41	1.5	42	2.0	1.32
50	50	2"	90	13.5	173	30	32.0	32.0	52	1.5	52	1.0	53	1.5	54	2.0	2.25	

* only for investment cast design ** only for forged design MG = diaphragm size
For materials see overview on last page

Butt weld spigots, connection code 1A, 1B, 60 Valve body material: investment casting (code 34), forged body (code 40, F4)

Type	MG	DN	NPS	f*	øg*	L	c	H1*	H1**	DIN 11866 Series A Code 1A		DIN 11866 Series B Code 1B		ISO 1127 / EN 10357 Series C Code 60		Weight [kg]
										ød	s	ød	s	ød	s	
GEMÜ 601, 602	8	4	-	-	-	72	20	8.5		-	-	-	-	-	-	0.09
		6	-	-	-	72	20	8.5		8	1.0	10.2	1.6	10.2	1.6	0.09
		8	1/4"	-	-	72	20	8.5		10	1.0	13.5	1.6	13.5	1.6	0.09
		10	3/8"	-	-	72	20	8.5		13	1.5	-	-	-	-	0.09
		15	1/2"	-	-	72	20	8.5		-	-	-	-	-	-	0.09
GEMÜ 612	10	10	3/8"	30	13.5	108	25	12.5		13	1.5	17.2	1.6	17.2	1.6	0.30
		15	1/2"	30	13.5	108	25	12.5		19	1.5	21.3	1.6	21.3	1.6	0.30
		20	3/4"	30	13.5	108	25	12.5		-	-	-	-	-	-	0.30
GEMÜ 673	25	15	1/2"	40	13.5	120	25	13.0	19.0	19	1.5	21.3	1.6	21.3	1.6	0.62
		20	3/4"	40	13.5	120	25	16.0	19.0	23	1.5	26.9	1.6	26.9	1.6	0.58
		25	1"	40	13.5	120	25	19.0	19.0	29	1.5	33.7	2.0	33.7	2.0	0.55
	40	32	1 1/4"	68	13.5	153	25	24.0	26.0	35	1.5	42.4	2.0	42.4	2.0	1.45
		40	1 1/2"	75	13.5	153	25	26.0	26.0	41	1.5	48.3	2.0	48.3	2.0	1.32
50	50	2"	90	13.5	173	30	32.0	32.0	53	1.5	60.3	2.0	60.3	2.0	2.25	

* only for investment cast design ** only for forged design MG = diaphragm size
For materials see overview on last page



Body dimensions [mm]

Butt weld spigots, connection code 35, 36, 37 Valve body material: investment casting (code 34), forged body (code 40, F4)

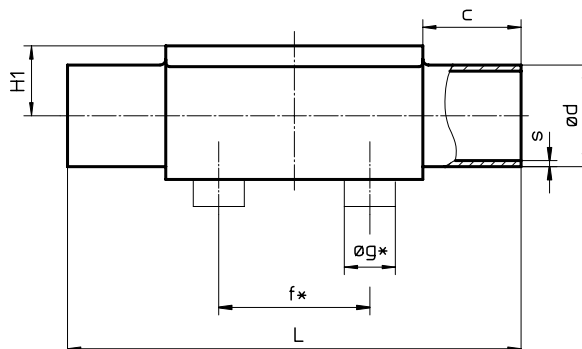
Type	MG	DN	NPS	f*	øg*	L	c	H1*	H1**	JIS-G 3447 Code 35		JIS-G 3459 Code 36		SMS 3008 Code 37		Weight [kg]
										ød	s	ød	s	ød	s	
GEMÜ 601, 602	8	4	-	-	-	72	20	8.5		-	-	-	-	-	-	0.09
		6	-	-	-	72	20	8.5		-	-	10.5	1.20	-	-	0.09
		8	1/4"	-	-	72	20	8.5		-	-	13.8	1.65	-	-	0.09
		10	3/8"	-	-	72	20	8.5		-	-	-	-	-	-	0.09
		15	1/2"	-	-	72	20	8.5		-	-	-	-	-	-	0.09
GEMÜ 612	10	10	3/8"	30	13.5	108	25	12.5		-	-	17.3	1.65	-	-	0.30
		15	1/2"	30	13.5	108	25	12.5		-	-	21.7	2.10	-	-	0.30
		20	3/4"	30	13.5	108	25	12.5		-	-	-	-	-	-	0.30
GEMÜ 673	25	15	1/2"	40	13.5	120	25	13.0	19.0	-	-	21.7	2.10	-	-	0.62
		20	3/4"	40	13.5	120	25	16.0	19.0	-	-	27.2	2.10	-	-	0.58
		25	1"	40	13.5	120	25	19.0	19.0	25.4	1.2	34.0	2.80	25.0	1.2	0.55
	40	32	1 1/4"	68	13.5	153	25	24.0	26.0	31.8	1.2	42.7	2.80	33.7	1.2	1.45
		40	1 1/2"	75	13.5	153	25	26.0	26.0	38.1	1.2	48.6	2.80	38.0	1.2	1.32
		50	2"	90	13.5	173	30	32.0	32.0	50.8	1.5	60.5	2.80	51.0	1.2	2.25

* only for investment cast design ** only for forged design MG = diaphragm size
For materials see overview on last page

Butt weld spigots, connection code 55, 59, 63, 65 Valve body material: investment casting (code 34), forged body (code 40, F4)

Type	MG	DN	NPS	f*	øg*	L	c	H1*	H1**	BS 4825 Code 55		ASME BPE Code 59		ANSI/ASME B36.19M 10s Code 63		ANSI/ASME B36.19M 40s Code 65		Weight [kg]
										ød	s	ød	s	ød	s	ød	s	
GEMÜ 601, 602	8	4	-	-	-	72	20	8.5		-	-	-	-	-	-	-	-	0.09
		6	-	-	-	72	20	8.5		-	-	-	-	10.3	1.24	10.3	1.73	0.09
		8	1/4"	-	-	72	20	8.5		6.35	1.2	6.35	0.89	13.7	1.65	13.7	2.24	0.09
		10	3/8"	-	-	72	20	8.5		9.53	1.2	9.53	0.89	-	-	-	-	0.09
		15	1/2"	-	-	72	20	8.5		12.70	1.2	12.70	1.65	-	-	-	-	0.09
GEMÜ 612	10	10	3/8"	30	13.5	108	25	12.5		9.53	1.2	9.53	0.89	17.1	1.65	17.1	2.31	0.30
		15	1/2"	30	13.5	108	25	12.5		12.70	1.2	12.70	1.65	21.3	2.11	21.3	2.77	0.30
		20	3/4"	30	13.5	108	25	12.5		19.05	1.2	19.05	1.65	-	-	-	-	0.30
GEMÜ 673	25	15	1/2"	40	13.5	120	25	13.0	19.0	-	-	-	-	21.3	2.11	21.3	2.77	0.62
		20	3/4"	40	13.5	120	25	16.0	19.0	19.05	1.2	19.05	1.65	26.7	2.11	26.7	2.87	0.58
		25	1"	40	13.5	120	25	19.0	19.0	-	-	25.40	1.65	33.4	2.77	33.4	3.38	0.55
	40	32	1 1/4"	68	13.5	153	25	24.0	26.0	-	-	-	-	42.2	2.77	42.2	3.56	1.45
		40	1 1/2"	75	13.5	153	25	26.0	26.0	-	-	38.10	1.65	48.3	2.77	48.3	3.68	1.32
		50	2"	90	13.5	173	30	32.0	32.0	-	-	50.80	1.65	60.3	2.77	60.3	3.91	2.25

* only for investment cast design ** only for forged design MG = diaphragm size
For materials see overview on last page



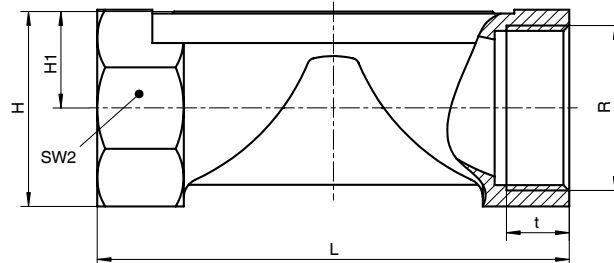
Body dimensions [mm]

Threaded sockets, connection code 1 valve body material: investment casting (code 37)

Type	MG	DN	R	H	H1	t	L	SW2	Number of flats	Weight [kg]
GEMÜ 601/602	8	8	G 1/4	19	9	11	72	18	6	0,09
GEMÜ 612	10	12	G 3/8	25	13	12	55	22	2	0,17
		15	G 1/2	30	15	15	68	27	2	0,26
GEMÜ 673	25	15	G 1/2	29	16	15	85	27	6	0,32
		20	G 3/4	32	16	16	85	32	6	0,34
		25	G 1	37	16	13	110	41	6	0,39
	40	32	G 1 1/4	49	24	20	120	50	8	0,88
		40	G 1 1/2	52	24	18	140	55	8	0,93
50	50	G 2	68	33	26	165	70	8	1,56	

MG = Diaphragm size

For materials see overview on last page



Body dimensions [mm]

Threaded connections, connection code 6, 62
Valve body material: investment casting (code 34), forged body (code 40)

Type	MG	DN	H1*	H1**	f*	øg*	ød1	Thread to DIN 405 R	Code 6 L	Code 62 L	Weight [kg]
GEMÜ 601/602	8	10	8.5	-	-	-	10.0	RD 28 x 1/8	92	90	0.21
GEMÜ 612	10	10	12.5	-	30.0	13.5	10.0	RD 28 x 1/8	118	116	0.33
		15	12.5	-	30.0	13.5	16.0	RD 34 x 1/8	118	116	0.35
GEMÜ 673	25	15	13.0	19	40.0	13.5	16.0	RD 34 x 1/8	118	116	0.71
		20	16.0	19	40.0	13.5	20.0	RD 44 x 1/6	118	114	0.78
	25	19.0	19	40.0	13.5	26.0	RD 52 x 1/6	128	127	0.79	
	40	32	24.0	26	68.0	13.5	32.0	RD 58 x 1/6	147	147	1.66
		40	26.0	26	75.0	13.5	38.0	RD 65 x 1/6	160	160	1.62
50	50	32.0	32	90.0	13.5	50.0	RD 78 x 1/6	191	191	2.70	

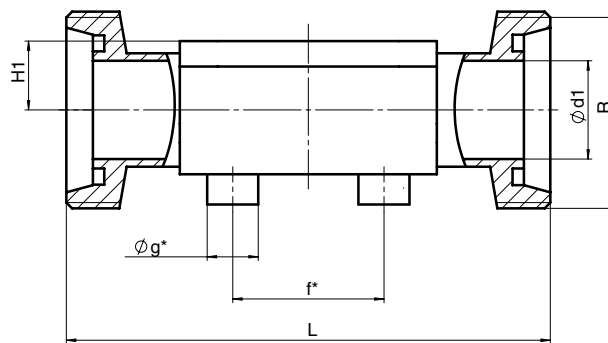
* only for investment cast design

** only for forged design

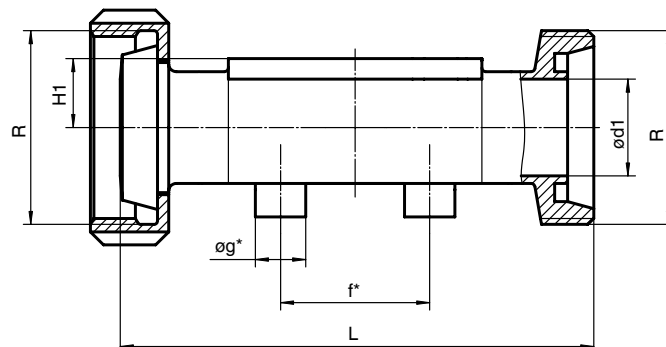
MG = diaphragm size

For materials see overview on last page

Code 6



Code 62



Body dimensions [mm]

Flanges - DIN EN 1092, connection code 8 Valve body material: GGG 40.3 (code 17, 18), 1.4435 (code 34, 40)

Type	MG	DN	øD	øk	øL	Number of bolts	H1			FTF	Weight [kg]
							Material code 17, 18	Material code 34	Material code 40		
GEMÜ 673	25	15	95	65	14	4	18.0	13.0	19.0	130*	1.85
		20	105	75	14	4	20.5	16.0	19.0	150	2.35
		25	115	85	14	4	23.0	19.0	19.0	160	2.85
	40	32	140	100	19	4	28.7	24.0	26.0	180	4.90
		40	150	110	19	4	33.0	26.0	26.0	200	5.65
		50	165	125	19	4	39.0	32.0	32.0	230	7.45

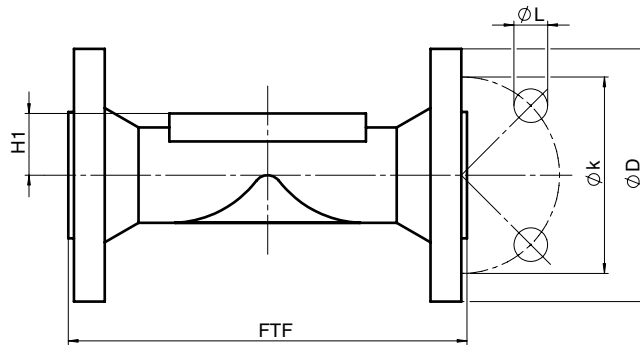
*Material code 34, 40 FTF = 150 (no DIN length)

MG = diaphragm size For materials see overview on last page

Flanges - ANSI Class 125/150 RF, connection code 38. 39 Valve body material: GGG 40.3 (code 17, 18), 1.4435 (code 34, 40)

Type	MG	DN	øD	øk	øL	Number of bolts	H1			FTF		Weight [kg]
							Material code 17, 18	Material code 34	Material code 40	Connection code 38	Connection code 39	
GEMÜ 673	25	15	90	60.3	15.9	4	18.0	13.0	19.0	-	130	1.85
		20	100	69.9	15.9	4	20.5	16.0	19.0	146	150	2.35
		25	110	79.4	15.9	4	23.0	19.0	19.0	146	160	2.85
	40	32	115	88.9	15.9	4	28.7	24.0	26.0	-	180	4.90
		40	125	98.4	15.9	4	33.0	26.0	26.0	175	200	5.65
		50	150	120.7	19.0	4	39.0	32.0	32.0	200	230	7.45

MG = diaphragm size For materials see overview on last page

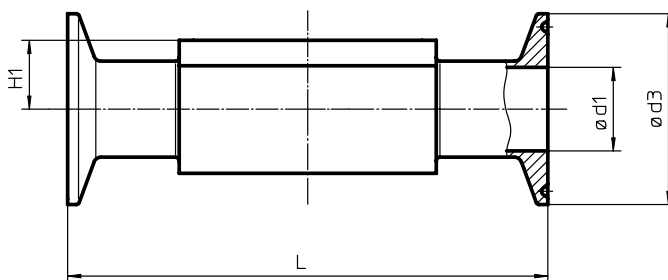


Body dimensions [mm]

Clamp connections, connection code 80, 82, 88, 8A, 8E Valve body material: forged body (code 40, F4)

Type	MG	DN	NPS	H1	for pipe ASME BPE Code 80			for pipe EN ISO 1127 Code 82			for pipe ASME BPE Code 88			for pipe DIN 11850 Code 8A			for pipe SMS 3008 Code 8E			Weight [kg]
					ød1	ød3	L	ød1	ød3	L	ød1	ød3	L	ød1	ød3	L	ød1	ød3	L	
GEMÜ 601/602	8	6	1/8"	8.5	-	-	-	7.0	25.0	63.5	-	-	-	6	25.0	63.5	-	-	-	-
		8	1/4"	8.5	4.57	25.0	63.5	10.3	25.0	63.5	-	-	-	8	25.0	63.5	-	-	-	0.15
		10	3/8"	8.5	7.75	25.0	63.5	-	-	-	-	-	-	10	34.0	88.9	-	-	-	0.18
		15	1/2"	8.5	9.40	25.0	63.5	-	-	-	9.40	25.0	108	-	-	-	-	-	-	0.18
GEMÜ 612	10	10	3/8"	12.5	-	-	-	14.0	25.0	108.0	-	-	-	10	34.0	108.0	-	-	-	0.30
		15	1/2"	12.5	9.40	25.0	88.9	18.1	50.5	108.0	9.40	25.0	108	16	34.0	108.0	-	-	-	0.43
		20	3/4"	12.5	15.75	25.0	101.6	-	-	-	15.75	25.0	117	-	-	-	-	-	-	0.43
GEMÜ 673	25	15	1/2"	19.0	-	-	-	18.1	50.5	108.0	-	-	-	16	34.0	108.0	-	-	-	0.75
		20	3/4"	19.0	15.75	25.0	101.6	23.7	50.5	117.0	15.75	25.0	117	20	34.0	117.0	-	-	-	0.71
		25	1"	19.0	22.10	50.5	114.3	29.7	50.5	127.0	22.10	50.5	127	26	50.5	127.0	22.6	50.5	127	0.63
	40	32	1 1/4"	26.0	-	-	-	38.4	64.0	146.0	-	-	-	32	50.5	146.0	31.3	50.5	146	1.62
		40	1 1/2"	26.0	34.80	50.5	139.7	44.3	64.0	159.0	34.80	50.5	159	38	50.5	159.0	35.6	50.5	159	1.50
50	50	2"	32.0	47.50	64.0	158.8	56.3	77.5	190.0	47.50	64.0	190	50	64.0	190.0	48.6	64.0	190	2.50	

MG = Diaphragm size



Overview of valve bodies for GEMÜ 601, 602, 612, 673

		Spigots																								
Type	Connection code		0	16		17		18		1A	1B	35		36		37		55		59		60		63	65	
	Material code		34	40	34	40	34	40	34	40	40	40	34	40	40	40	34	40	34	40	34	40	34	40	40	40
	MG	DN																								
GEMÜ 601/602	8	4	X	X	-	-	-	-	-	-	-	-	-	-	-	-	-	-	-	-	-	-	-	-	-	-
		6	X	X	-	-	-	-	-	-	X	X	-	-	X	-	-	-	-	-	-	-	-	X	X	X
		8	X	X	-	-	-	-	-	-	X	X	-	-	X	-	-	X	X	X	X	X	X	X	X	X
		10	-	-	X	X	X	X	X	X	X	-	-	-	-	-	-	X	X	X	X	-	-	-	-	-
		15	-	-	-	-	-	-	-	-	-	-	-	-	-	-	-	X	X	X	X	-	-	-	-	-
GEMÜ 612	10	10	-	-	X	X	X	X	X	X	X	-	-	X	-	-	-	X	-	X	X	X	X	X	X	X
		15	X	X	X	X	X	X	X	X	X	-	-	X	-	-	X	X	-	X	X	X	X	X	X	X
		20	-	-	-	-	-	-	-	-	-	-	-	-	-	-	-	X	X	X	X	-	-	-	-	-
GEMÜ 673	25	15	X	X	X	X	X	X	-	X	X	X	-	-	X	-	-	-	-	-	-	X	X	X	X	X
		20	X	X	X	X	X	X	-	X	X	X	-	-	X	-	-	X	X	X	X	X	X	X	X	X
		25	X	X	X	X	X	X	X	X	X	X	X	X	X	X	X	-	-	-	-	X	X	X	X	X
	40	32	X	X	X	X	X	X	X	X	X	X	X	X	X	X	X	-	-	-	-	X	X	X	X	X
		40	X	X	X	X	X	X	X	X	X	X	X	X	X	X	X	-	-	X	X	X	X	X	X	X
		50	X	X	X	X	X	X	X	X	X	X	X	X	X	X	X	-	-	X	X	X	X	X	X	X

X = Standard

MG = diaphragm size

Availability of material code 32: same as code 34, availability of material code 42, F4: same as code 40

		Threaded connections					Clamps					Flanges												
Type	Connection code		1	6		62		80	82	88	8A	8E	8				38		39					
	Material code		37	34	40	34	40	40	40	40	40	40	17	18	34	40	17	18	17	18	34	40		
	MG	DN																						
GEMÜ 601/602	8	6	-	-	-	-	-	-	K	-	K	-	-	-	-	-	-	-	-	-	-	-	-	-
		8	X	-	-	-	-	K	K	-	K	-	-	-	-	-	-	-	-	-	-	-	-	-
		10	-	W	W	W	W	K	-	-	W	-	-	-	-	-	-	-	-	-	-	-	-	-
		15	-	-	-	-	-	K	-	W	-	-	-	-	-	-	-	-	-	-	-	-	-	-
GEMÜ 612	10	10	-	W	W	W	W	-	K	-	K	-	-	-	-	-	-	-	-	-	-	-	-	-
		12	X	-	-	-	-	-	-	-	-	-	-	-	-	-	-	-	-	-	-	-	-	-
		15	X	W	W	W	W	K	W	K	K	-	-	-	-	-	-	-	-	-	-	-	-	-
		20	-	-	-	-	-	K	-	K	-	-	-	-	-	-	-	-	-	-	-	-	-	-
GEMÜ 673	25	15	X	W	W	W	W	-	W	-	K	-	X	X	W	W	-	-	X	X	W	W	W	W
		20	X	W	W	W	W	K	K	K	K	-	X	X	W	W	X	X*	X	X	W	W	W	W
		25	X	W	W	W	W	K	K	K	K	K	X	X	W	W	X	X*	X	X	W	W	W	W
	40	32	X	W	W	W	W	-	W	-	K	K	X	X	W	W	-	-	X	X	W	W	W	W
		40	X	W	W	W	W	K	W	K	K	K	X	X	W	W	X	X*	X	X	W	W	W	W
50	50	X	W	W	W	W	K	W	K	K	K	X	X	W	W	X	X*	X	X	W	W	W	W	

* Connection code 38 / material code 18 on request

X = Standard

K = Connections completely machined (not welded)

W = Welded construction

MG = diaphragm size

Availability of material code 32: same as code 34, availability of material code 42, F4: same as code 40

For further metal diaphragm valves, accessories and other products,
please see our Product Range catalogue and Price List. Contact GEMÜ.

GEMÜ® VALVES, MEASUREMENT
AND CONTROL SYSTEMS

