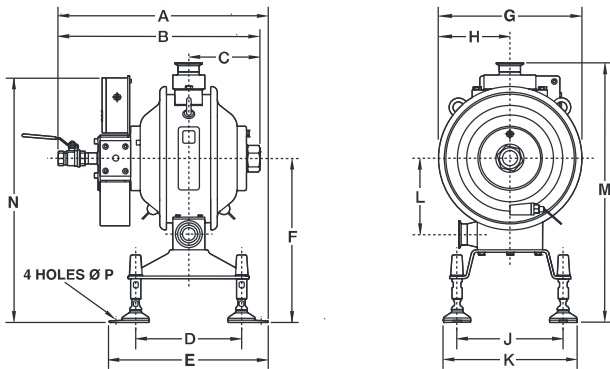


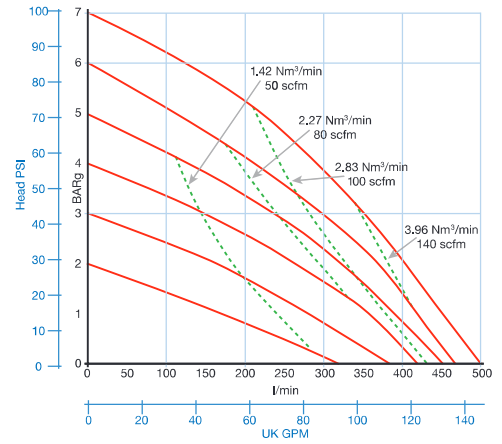
# Technical Data



Maximum operating pressure 7.2 bar (105 PSIG)

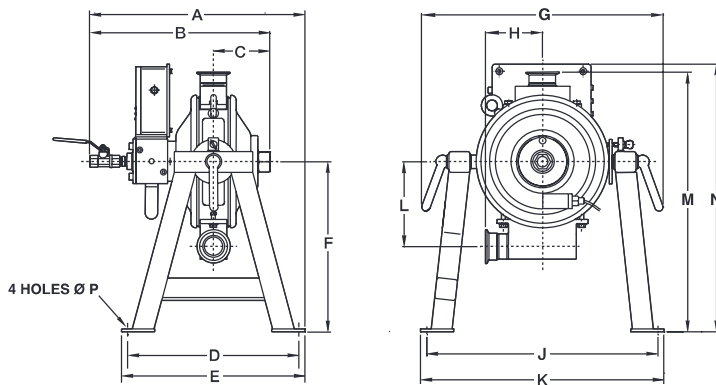
## Flow Rate 12" diameter diaphragm

3"



'H' Series 3-A Pump															Diaphragm Diameter	
Size	A	B	C	D	E	F	G	H	J	K	L	M	N	P	Wt/kg	Diaphragm Diameter
1½"/2½"/3"	495	479	170	343	372	389	340	123	250	313	180	616	585	15	75	12"

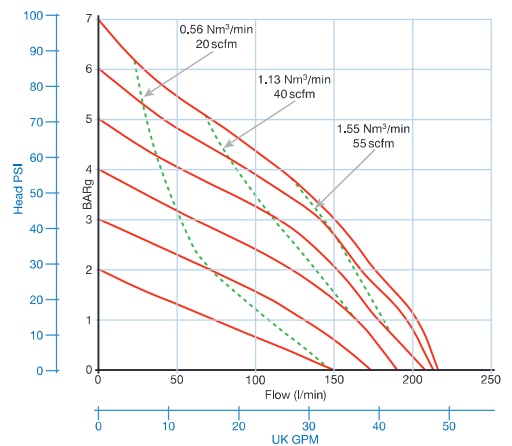
Dimensions in mm



Maximum operating pressure 7.2 bar (105 PSIG)

## Flow Rate 10" diameter diaphragm

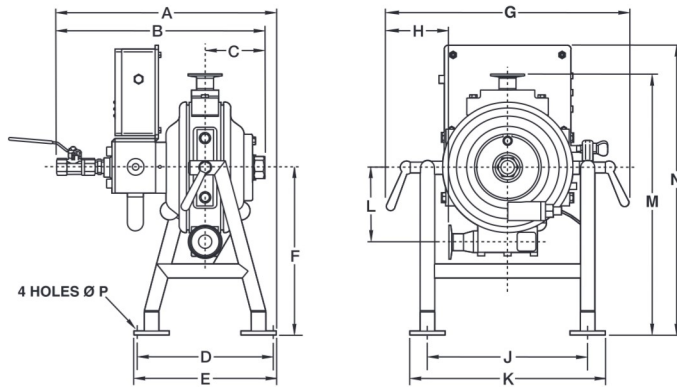
2"



'H' Series 3-A Pump															Diaphragm Diameter	
Size	A	B	C	D	E	F	G	H	J	K	L	M	N	P	Wt/kg	Diaphragm Diameter
1½"/2"	413	345	108	327	351	326	463	109	442	466	162	498	513	13	36	10"

Dimensions in mm

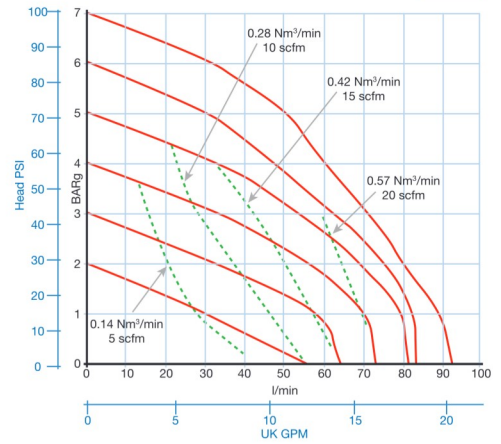
# Technical Data



Maximum operating pressure 7.2 bar (105 PSIG)

## Flow Rate 7" diameter diaphragm

1"



'H' Series 3-A Pump															Diaphragm Diameter	
Size	A	B	C	D	E	F	G	H	J	K	L	M	N	P	Wt/kg	Diaphragm Diameter
1"	329	312	89	198	213	250	364	88	240	293	111	391	434	7	23	7"

Dimensions in mm

Unibloc Hygienic Technologies, LLC  
 Ricebridge Works, Brighton Road, Bolney, West Sussex RH17 5NA. UK  
 Tel: +44 (0)1444 881871 Fax: +44 (0)1444 881860  
 Email: sales@unibloctech.com Web: unibloctech.com  
 For authentic Flotronic Pump spares go to: unibloctech.com



ATEX APPROVED PUMPS



'Flotronic' is a UK registered trade mark.

Specifications subject to change without notice.

