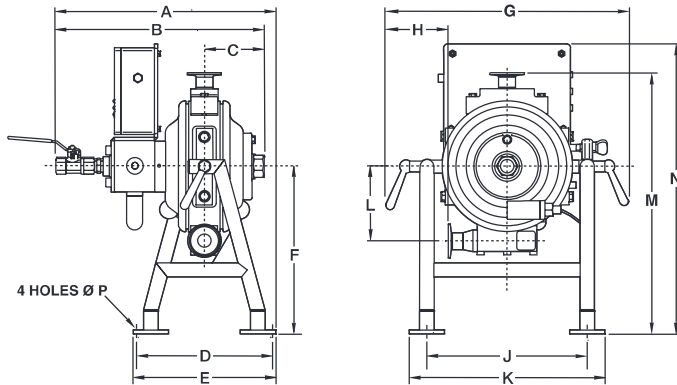


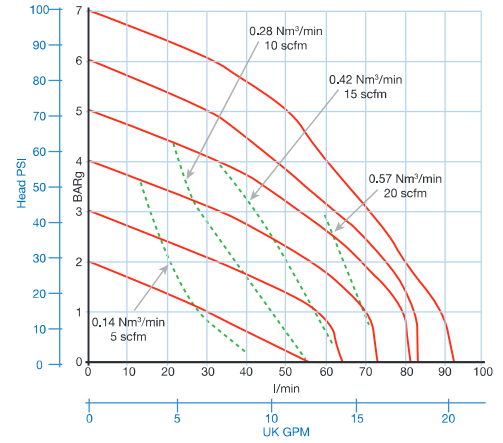
# Technical Data



Maximum operating pressure 7.2 bar (105 PSIG)

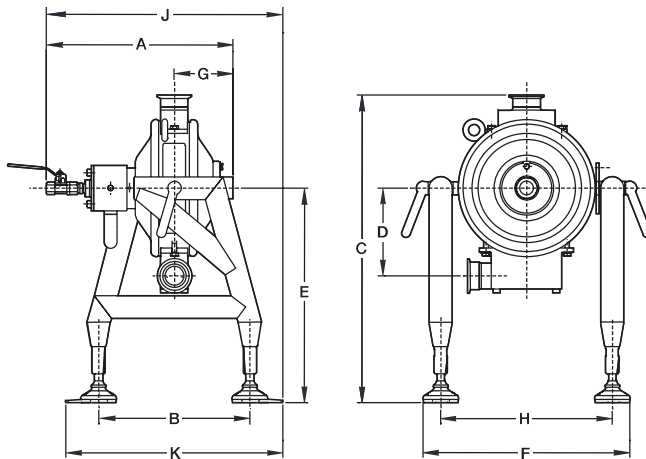
## Flow Rate 7" diameter diaphragm

1"



'H' Series 3-A Pump														Wt/kg	Diaphragm Diameter	
Size	A	B	C	D	E	F	G	H	J	K	L	M	N			P
1"	329	312	89	198	213	250	364	88	240	293	111	391	434	7	23	7"

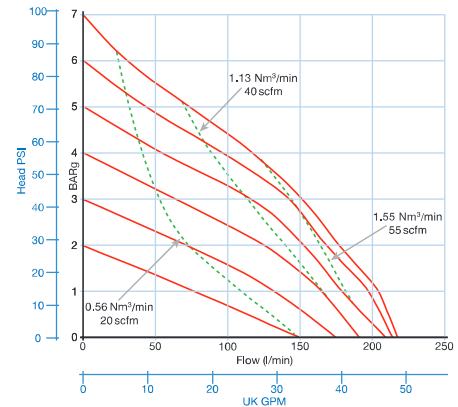
Dimensions in mm



Maximum operating pressure 7.2 bar (105 PSIG)

## Flow Rate 10" diameter diaphragm

2"

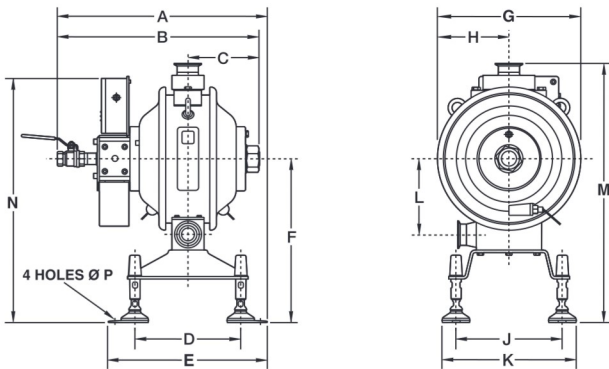


'E' Series EHEDG Pump												Wt/kg	Diaphragm Diameter
Size	A	B	C	D	E	F	G	H	J	K			
1 1/2"/2"	345	280	570	162	397	383	108	318	438	402	36	10"	

Dimensions in mm



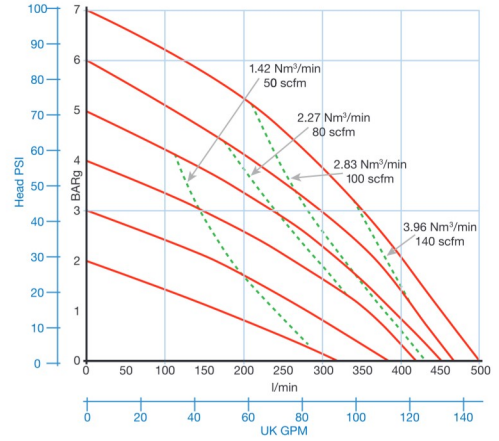
# Technical Data



Maximum operating pressure 7.2 bar (105 PSIG)

## Flow Rate 12" diameter diaphragm

3"



'H' Series 3-A Pump															Diaphragm Diameter	
Size	A	B	C	D	E	F	G	H	J	K	L	M	N	P	Wt/kg	
1½"/2"/3"	495	479	170	343	372	389	340	123	250	313	180	616	585	15	75	12"

Dimensions in mm

Unibloc Hygienic Technologies, LLC  
 Ricebridge Works, Brighton Road, Bolney, West Sussex RH17 5NA. UK  
 Tel: +44 (0)1444 881871 Fax: +44 (0)1444 881860  
 E-mail: sales@unibloc.com Web: unibloc.com  
 For authentic Flotronic pump spares go to: unibloc.com

Hastelloy® is a registered trademark of Haynes International.  
 'Flotronic' is a UK registered trade mark.  
 Specifications subject to change without notice.

