

Specifications and types

Suction fittings	1"1/2 f BSPP o DN 40 - NPT
Delivery fittings	1" m BSPP o DN 25 - NPT
Max. flow rate	13 m3/h
Min. flow rate	1,2 m3/h
Max. head	14 m
Viscosity up to	150 cps


 PLASTIC MATERIAL
PP

 PLASTIC MATERIAL
PVDF

STANDARD ELECTRIC MOTOR:

Kw 0,55 HP 0,75

- Constructive Form B3+B5
- RPM 2900
- Three-phase 230/400 V - 50/60 HZ
- 2 Poles IE2 Protection IP55
- Ambient temperature -30°C + 45°C

Kw 0,75 HP 1

- Constructive Form B3+B5
- RPM 2900
- Three-phase 230/400 V - 50/60 HZ
- 2 Poles IE3 Protection IP55
- Ambient temperature -30°C + 45°C

Kw 0,55 HP 0,75

- Constructive Form B3+B5
- RPM 2900
- Single-phase
- Ambient temperature -30°C + 45°C

Kw 0,75 HP 1

- Constructive Form B3+B5
- RPM 2900
- Single-phase
- Ambient temperature -30°C + 45°

IMPELLER	Motor 0,55 Kw (3 HP)	Motor 0,75 Kw (4 HP)
Ø 98 mm (Standard)	up to 1,1 g/cm3	up to 1,5 g/cm3
Ø 85 mm	up to 1,6 g/cm3	up to 2 g/cm3
Ø 70 mm	up to 2 g/cm3	up to 2 g/cm3

OPERATING TEMPERATURES** AND WEIGHTS

PP (with glass additive)	from 0°C to + 70°C, 2,2 Kg*
PVDF (with carbon additive)	from -10°C to + 100°C, 2,5 Kg*

*The weights refer to the pump without the motor

**Measurements should be taken with agitated water; temperatures may vary depending on the conditions of the system and/or the processed liquid

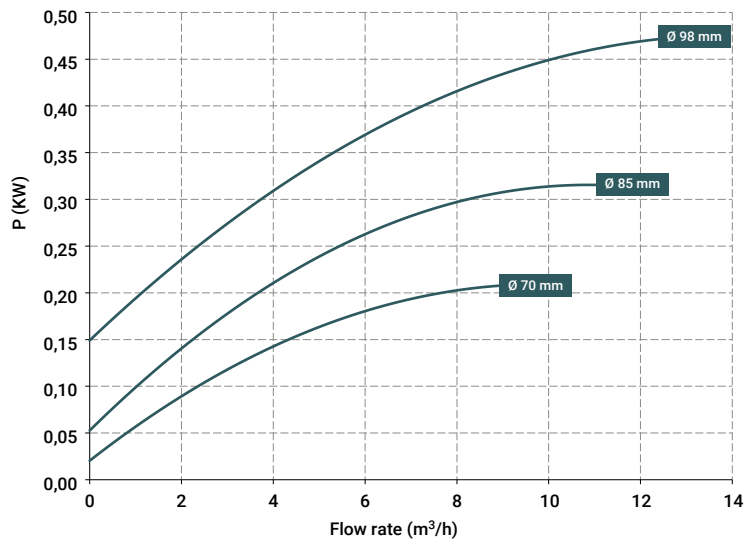
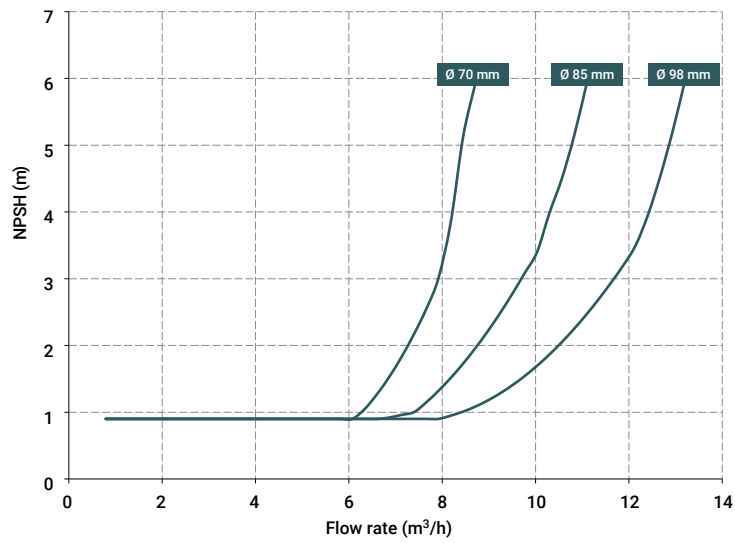
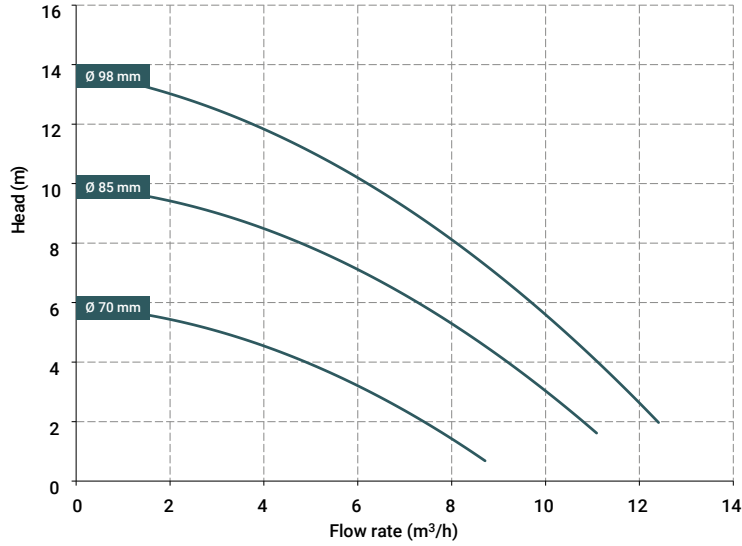
ELECTRIC MOTORS AVAILABLE ON REQUEST:

- Single-phase (up to 3 kw)
- ATEX
- NEMA 56C* / 143TC*

*(only pump available, with American flange, for coupling with NEMA motor - the motor is not available in our standard)

DM 10

Specifications and types



The curves and performances refer to tested pumps, with water at 20 °C, two-pole motor 50 Hz (2900rpm).

Specifications and types

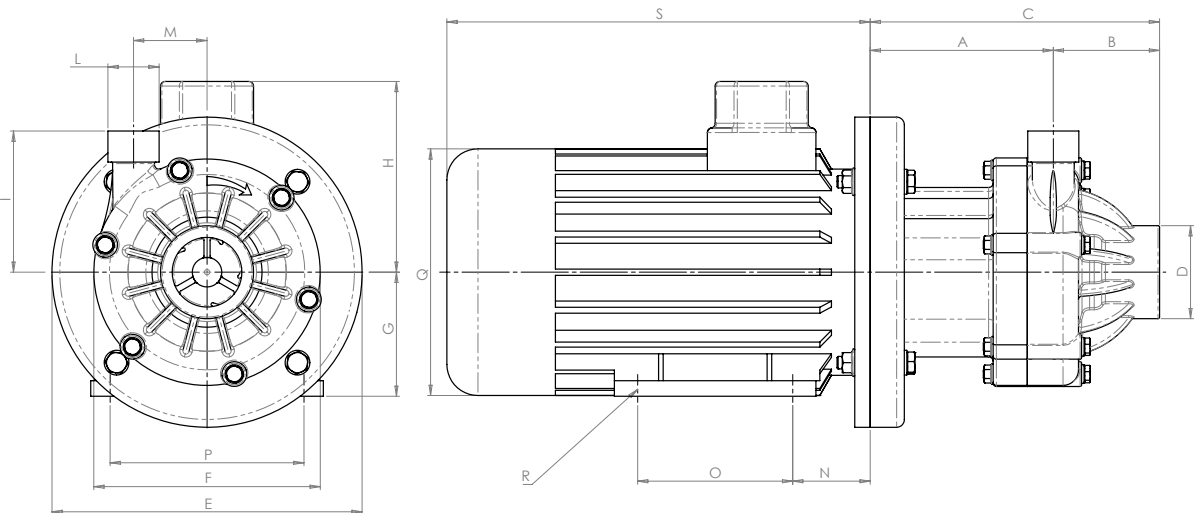
Length measurements in mm

MODEL	CASE	POWER	A	B	C	D	E*	F*	G*	H*	I	L	M	N*	O*	P*	Q*	R*	S*
DM 10	IEC 71	0,55 Kw	116	68,5	184,5	1"1/2 f(**)	160	146	71	114	91	1"m(**)	47,4	45	90	112	135	7	225
DM 10	IEC 80	0,75 Kw	116	68,5	184,5	1"1/2 f(**)	200	146	80	135	91	1"m(**)	47,4	50	100	125	158	10	230
DM 10	NEMA 56C***	0,75 Hp	116	68,5	184,5	1"1/2 f(**)	-	146	-	-	91	1"m(**)	47,4	-	-	-	-	-	-
DM 10	NEMA 143TC***	1,00 Hp	116	68,5	184,5	1"1/2 f(**)	-	146	-	-	91	1"m(**)	47,4	-	-	-	-	-	-

* Measurements may vary depending on the motor supplier.

** NPT or BSPP gas

***Warning: if you decide to combine the pump with a NEMA motor, the pump is delivered with a suitable coupling flange, but not the NEMA motor, which is not included in our standard supply.



Sealing O-ring materials

- EPDM
- VITON®

Packaging

- Pump with 0,55 Kw motor
- Wooden case size 50 x 25 x 35 cm - Weight 7 Kg
(the weight refers only to the packaging without the pump inside)
- Pump with 0,75 Kw motor
- Wooden case size 55 x 28 x 42 cm - Weight 10 Kg
(the weight refers only to the packaging without the pump inside)

Accessories

Flange kit (DIN flanges - ANSI on request)



UNDER HEAD USE