

Specifications and types

Suction fittings	2" m BSPP or DN 50 on request
Delivery fittings	1"1/2 m BSPP or DN 40 on request
Max. flow rate	20 m ³ /h
Max. head	15 m
Viscosity up to	500 cps
Standard open impeller	Ø 120 mm H 8 mm *
Solids passing	Ø max 6 mm

* Special versions are available on request for the fluid pumped



PLASTIC MATERIAL
PP



PLASTIC MATERIAL
PVDF

STANDARD ELECTRIC MOTOR:

Kw	1.1
HP	1.5
Constructive form	B5
RPM	2900
Three-phase 230/400 V	-
50/60 Hz	-
2 poles	-
Efficiency class	IE3
Protection	IP55
Ambient temperature	-30°C + 45°C
Aluminium/Cast iron	-
Single-phase (up to 3 kw)	on request
ATEX	on request

STD COLUMN LENGTH	PP WEIGHT*	PVDF WEIGHT*
500 mm	15 Kg	16 Kg
800 mm	19 Kg	20 Kg
1000 mm	22 Kg	23 Kg
1250 mm	24 Kg	25 Kg

* The weights refer to the pump without the motor
NB: Special executions only on request with column length from min. 350 mm to max. 1400 mm

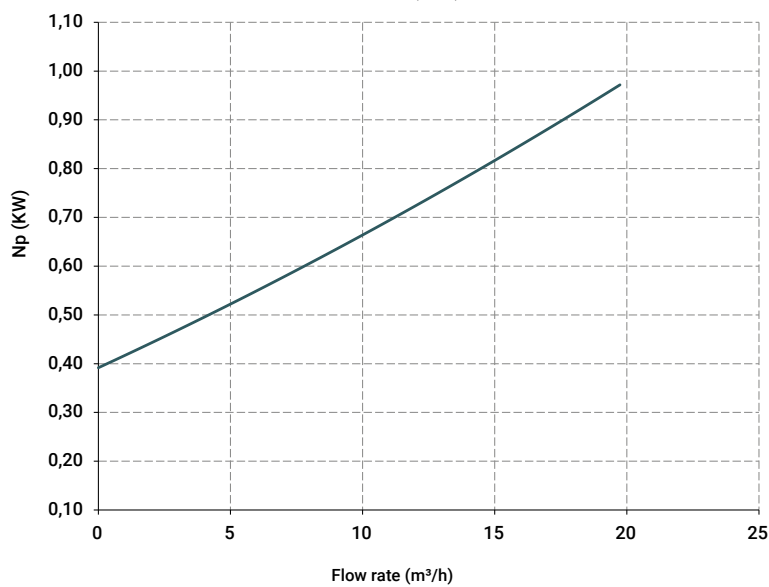
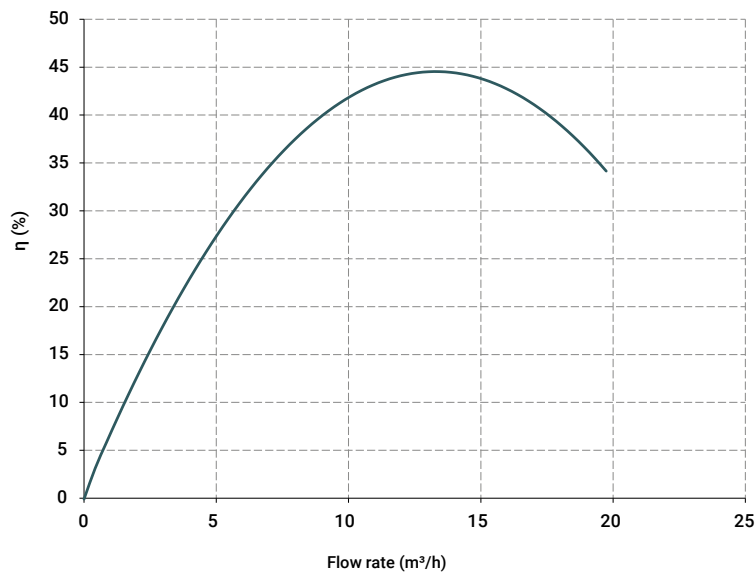
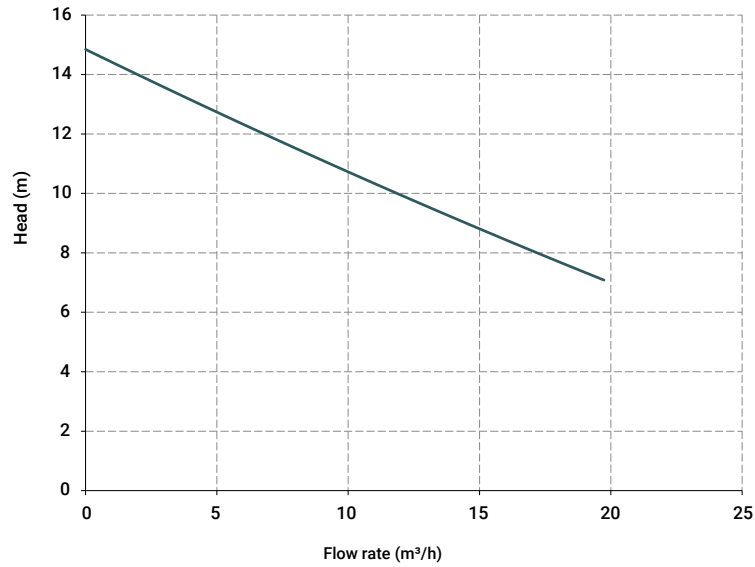
OPERATING TEMPERATURES**:

PP (with glass additive)	0°C to + 70°C
PVDF (with carbon additive)	-10°C to + 100°C

**Measurements should be taken with agitated water; temperatures may vary depending on the conditions of the system and/or the processed liquid

LENGTH	Tmax (PP)	Tmax (PVDF)
500 mm	70	100
800 mm	65	95
1000 mm	60	90
1250 mm	55	85

Specifications and types



The curves and performances refer to tested pumps, with water at 20 °C, two-pole motor 50 Hz (2900rpm).

Specifications and types

Length measurements in mm

MODEL	POWER	Ø PASSING SOLIDS	SOVEM ENGINE: A-B	A*	B	C	D	E	F	G	H	I	M	N	O	P	MOTOR WEIGHT [kg]*
IM110	1,1 Kw - 1,5 HP	6	230	440	210	25	125	360	135	165	60	300	310	165	250	203	15

* Measurements may vary depending on the motor supplier.

L [mm]

L1 [mm]

500	250
800	550
1000	750
1250	1000

50 mm - Max Fluid Level

Pump

IM 80

IM 90

IM 95

IM 110

IM 120

IM 130

IM 140

IM 150

IM 155

IM 160

IM 180

IM 200

Motor Power

0.37 Kw - 0.5 HP

0.55 Kw - 0.75 HP

0.75 Kw - 1 HP

1.1 Kw - 1.5 HP

1.5 Kw - 2 HP

2.2 Kw - 3 HP

3 Kw - 4 HP

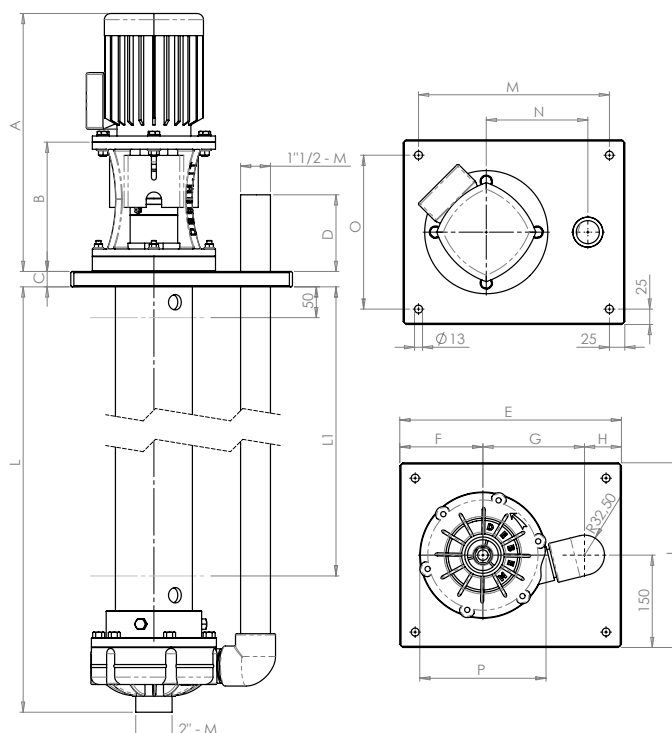
4 Kw - 5.5 HP

5.5 Kw - 7.5 HP

7.5 Kw - 10 HP

11 Kw - 15 HP

18.5 Kw - 25 HP



Seal o-ring materials

- EPDM
- VITON®

Packaging

- wooden cage - dimensions and weights vary depending on the length of the pump

Accessories

- FLANGE KIT (DIN standard - ANSI on request)
- PP pump protection filter* (*Filter sold separately)
- PVDF pump protection filter* (*Filter sold separately)
- Customisable fixing plate only at the design stage



TANK USE