

## Specifications and types

Suction fittings	2" m BSPP or DN 50 on request
Delivery fittings	G 1 1/2 m BSPP or DN 40 on request
Max. flow rate	30 m <sup>3</sup> /h
Max. head	20 m
Viscosity up to	500 cps
Standard open impeller	Ø 130 mm H 8 mm *
Solids passing	Ø max 6 mm

\* Special versions are available on request for the fluid pumped



PLASTIC MATERIAL  
PP



PLASTIC MATERIAL  
PVDF

### STANDARD ELECTRIC MOTOR:

Kw	2.2
HP	3
Constructive form	B5
RPM	2900
<b>Three-phase 230/400 V</b>	-
50/60 Hz	-
2 poles	-
Efficiency class	IE3
Protection	IP55
Ambient temperature	-30°C + 45°C
Aluminium/Cast iron	-
<b>Single-phase (up to 3 kw)</b>	on request
ATEX	on request

STD COLUMN LENGTH	PP WEIGHT*	PVDF WEIGHT*
500 mm	15 Kg	16 Kg
800 mm	19 Kg	20 Kg
1000 mm	22 Kg	23 Kg
1250 mm	24 Kg	25 Kg

\* The weights refer to the pump without the motor  
NB: Special executions only on request with column length from min. 350 mm to max. 1400 mm

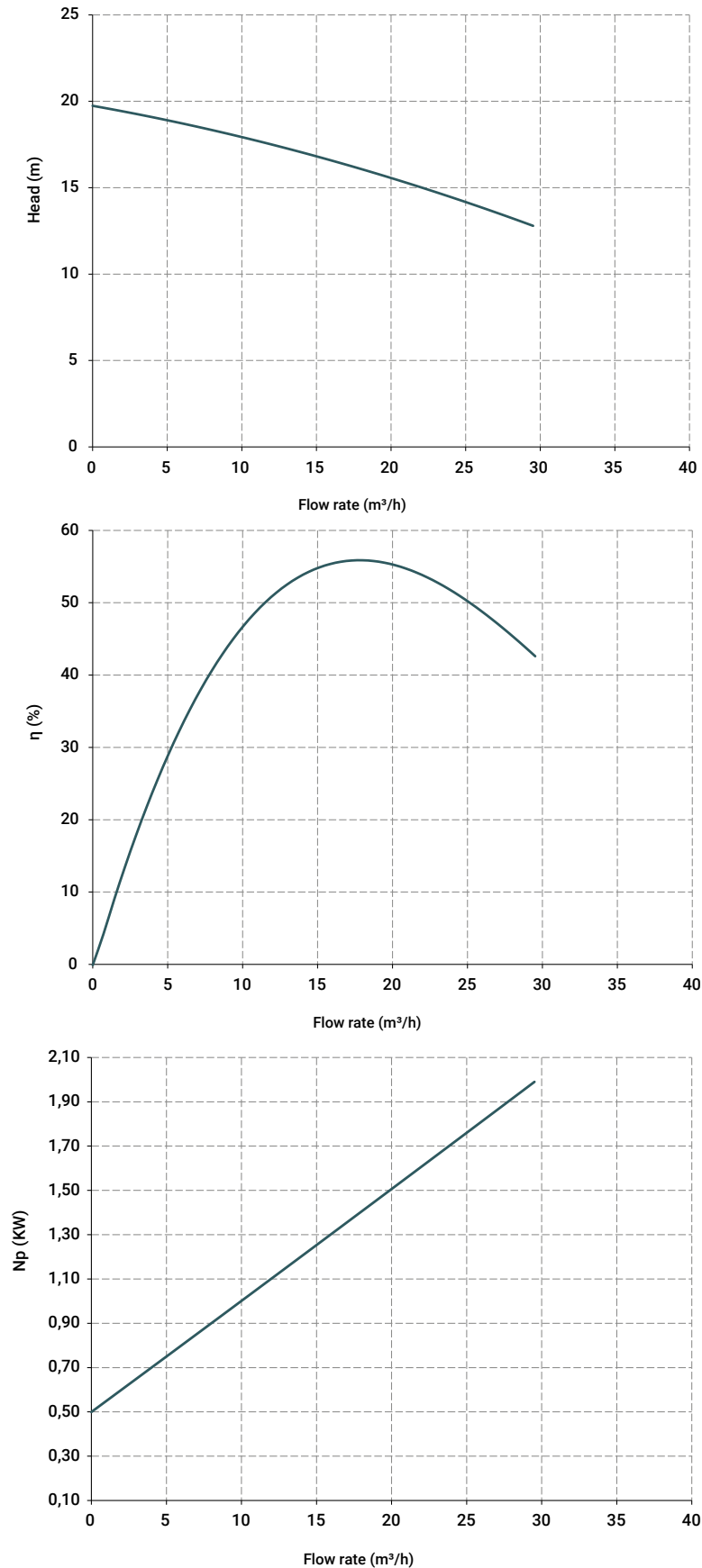
### OPERATING TEMPERATURES\*\*:

PP (with glass additive)	0°C to + 70°C
PVDF (with carbon additive)	-10°C to + 100°C

\*\*Measurements should be taken with agitated water; temperatures may vary depending on the conditions of the system and/or the processed liquid

LENGTH	Tmax (PP)	Tmax (PVDF)
500 mm	70	100
800 mm	65	95
1000 mm	60	90
1250 mm	55	85

## Specifications and types



The curves and performances refer to tested pumps, with water at 20 °C, two-pole motor 50 Hz (2900rpm).

## Specifications and types

Length measurements in mm

MODEL	POWER	Ø PASSING SOLIDS	SOVEM ENGINE: A-B	A*	B	C	D	E	F	G	H	I	M	N	O	P	MOTOR WEIGHT [kg]
IM130	2,2 Kw - 3 HP	6	275	495	220	25	125	360	135	165	60	300	310	165	250	203	22

\* Measurements may vary depending on the motor supplier.

L [mm]

L1 [mm]

500	250
800	550
1000	750
1250	1000

50 mm - Max Fluid Level

### Pump

IM 80

IM 90

IM 95

IM 110

IM 120

**IM 130**

IM 140

IM 150

IM 155

IM 160

IM 180

IM 200

### Motor Power

0.37 Kw - 0.5 HP

0.55 Kw - 0.75 HP

0.75 Kw - 1 HP

1.1 Kw - 1.5 HP

1.5 Kw - 2 HP

**2.2 Kw - 3 HP**

3 Kw - 4 HP

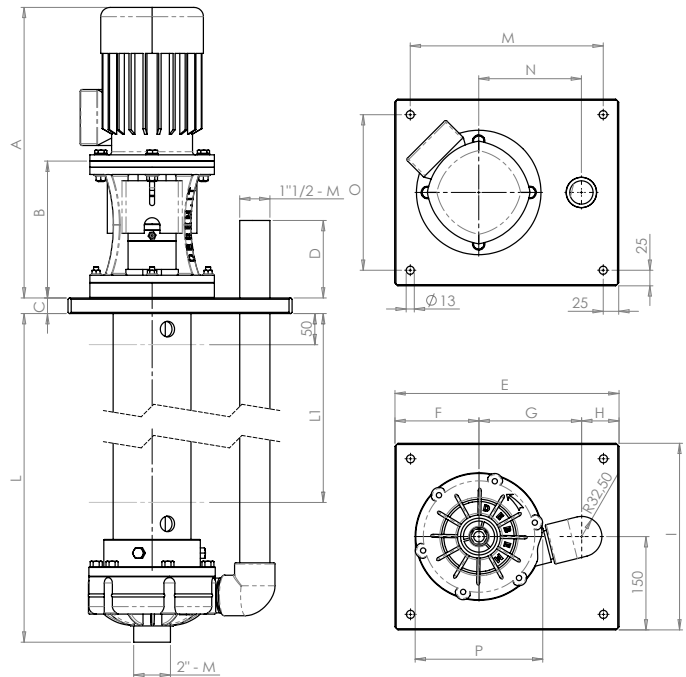
4 Kw - 5.5 HP

5.5 Kw - 7.5 HP

7.5 Kw - 10 HP

11 Kw - 15 HP

18.5 Kw - 25 HP



### Seal o-ring materials

- EPDM
- VITON®

### Packaging

- wooden cage - dimensions and weights vary depending on the length of the pump

### Accessories

- FLANGE KIT (DIN standard - ANSI on request)
- PP pump protection filter\* (\*Filter sold separately)
- PVDF pump protection filter\* (\*Filter sold separately)
- Customisable fixing plate only at the design stage



TANK USE