

Specifications and types

Suction fittings	2"1/2 f BSPP or DN 65 on request
Delivery fittings	2" m BSPP or DN 50 on request
Max. flow rate	42 m ³ /h
Max. head	27 m
Viscosity up to	500 cps
Standard open impeller	Ø 162 mm H 4 mm -10° *
Solids passing	Ø max 2 mm

* Special versions are available on request for the fluid pumped



PLASTIC MATERIAL
PP



PLASTIC MATERIAL
PVDF

STANDARD ELECTRIC MOTOR:

Kw	5.5
HP	7.5
Constructive form	B5
RPM	2900
Three-phase 400/690 V	-
50/60 Hz	-
2 poles	-
Efficiency class	IE3
Protection	IP55
Ambient temperature	-30°C + 45°C
Aluminium/Cast iron	-
ATEX	on request

STD COLUMN LENGTH	PP WEIGHT*	PVDF WEIGHT*
500 mm	28 Kg	30 Kg
800 mm	31 Kg	33 Kg
1000 mm	33 Kg	35 Kg
1250 mm	36 Kg	38 Kg

* The weights refer to the pump without the motor
NB: Special executions only on request with column length from min. 400 mm to max. 1400 mm

OPERATING TEMPERATURES**:

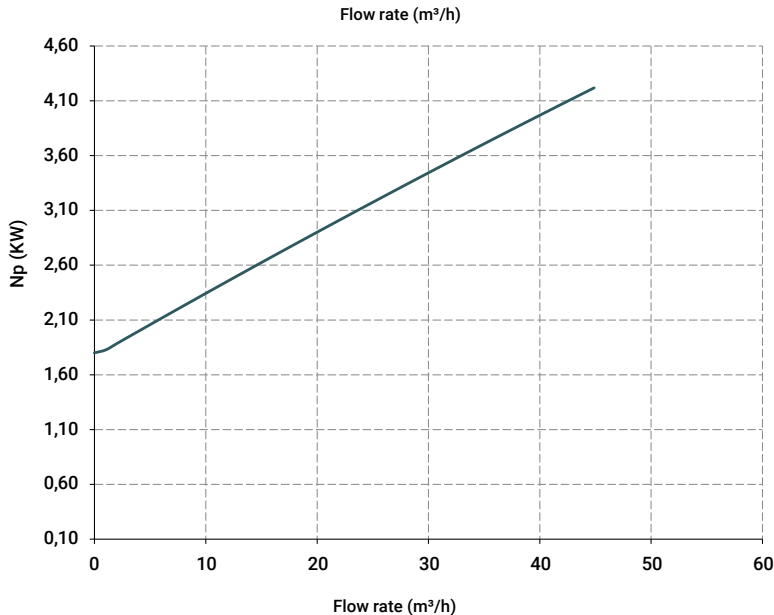
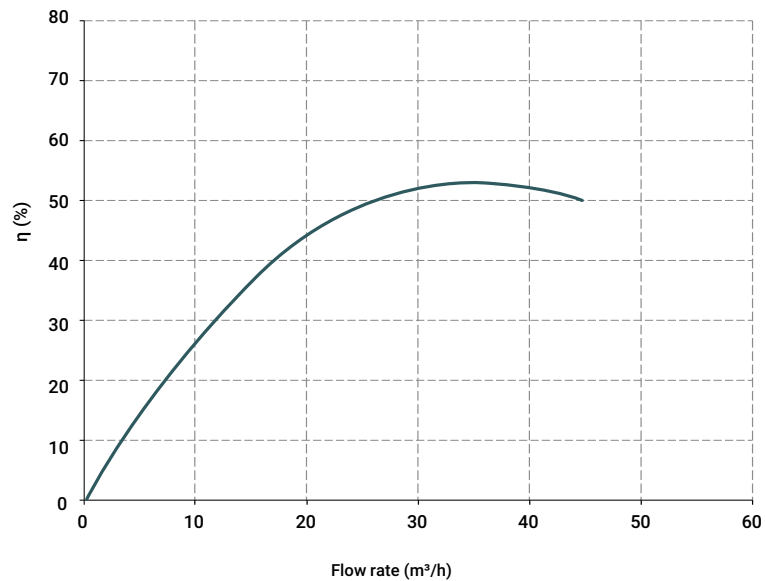
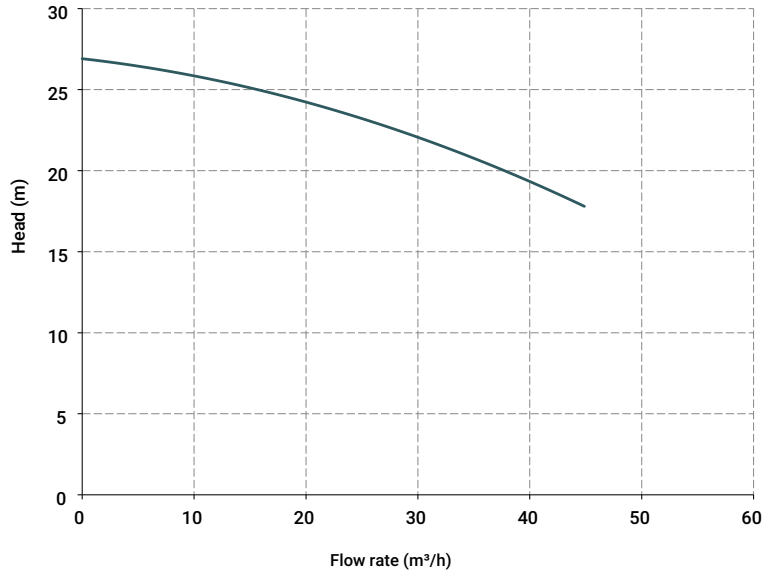
PP (with glass additive)	0°C to + 70°C
PVDF (with carbon additive)	-10°C to + 100°C

**Measurements should be taken with agitated water; temperatures may vary depending on the conditions of the system and/or the processed liquid

LENGTH	Tmax (PP)	Tmax (PVDF)
500 mm	70	100
800 mm	65	95
1000 mm	60	90
1250 mm	55	85

IM 155

Specifications and types



The curves and performances refer to tested pumps, with water at 20 °C, two-pole motor 50 Hz (2900rpm).

Specifications and types

Length measurements in mm

MODEL	POWER	Ø PASSING SOLIDS	SOVEM ENGINE: A-B	A*	B	C	D	E	F	G	H	I	M	N	O	P	MOTOR WEIGHT [kg]
IM155	5,5 Kw - 7,5 HP	2	385	688	303	25	130	480	170	215	95	380	430	215	330	275	50

* Measurements may vary depending on the motor supplier.

L [mm]

L1 [mm]

500	300
800	600
1000	800
1250	1050

50 mm - Max Fluid Level

Pump

IM 80

IM 90

IM 95

IM 110

IM 120

IM 130

IM 140

IM 150

IM 155

IM 160

IM 180

IM 200

Motor Power

0.37 Kw - 0.5 HP

0.55 Kw - 0.75 HP

0.75 Kw - 1 HP

1.1 Kw - 1.5 HP

1.5 Kw - 2 HP

2.2 Kw - 3 HP

3 Kw - 4 HP

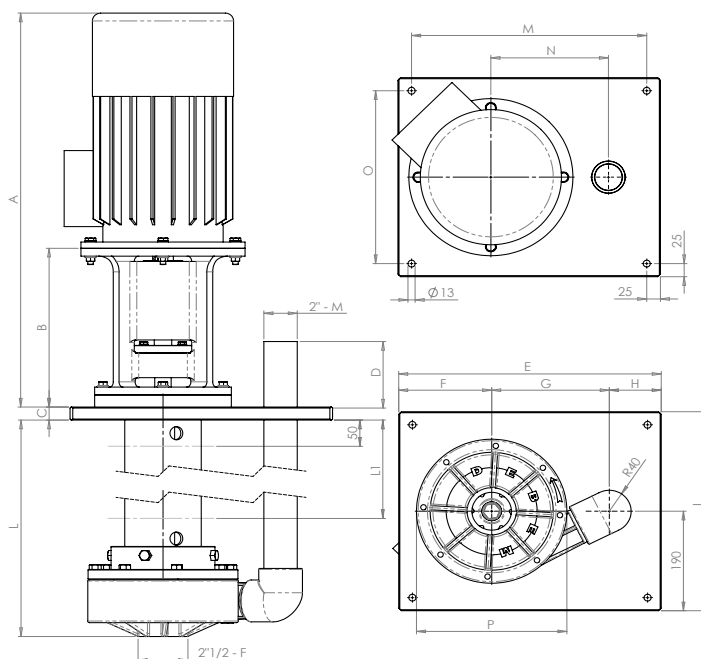
4 Kw - 5.5 HP

5.5 Kw - 7.5 HP

7.5 Kw - 10 HP

11 Kw - 15 HP

18.5 Kw - 25 HP



Seal o-ring materials

- EPDM
- VITON®

Packaging

- wooden cage - dimensions and weights vary depending on the length of the pump

Accessories

- FLANGE KIT (DIN standard - ANSI on request)
- PP pump protection filter* (*Filter sold separately)
- PVDF pump protection filter* (*Filter sold separately)
- Customisable fixing plate only at the design stage



TANK USE