

# MB 130



## Specifications and types

Suction fittings	2" m BSPP or DN 50
Delivery fittings	1"1/2 m BSPP or DN 40
Max. flow rate	30 m3/h
Max. head	22 m
Viscosity up to	500 cps
Standard open impeller	Ø 130 mm H 8 mm *
Solids passing	Ø max 6 mm

\* Special versions are available on request for the fluid pumped



**PLASTIC MATERIAL  
PP**



**PLASTIC MATERIAL  
PVDF**



### MATERIALS OF CONSTRUCTION PUMP CASING, OPERATING TEMPERATURES\*\* AND NET WEIGHT

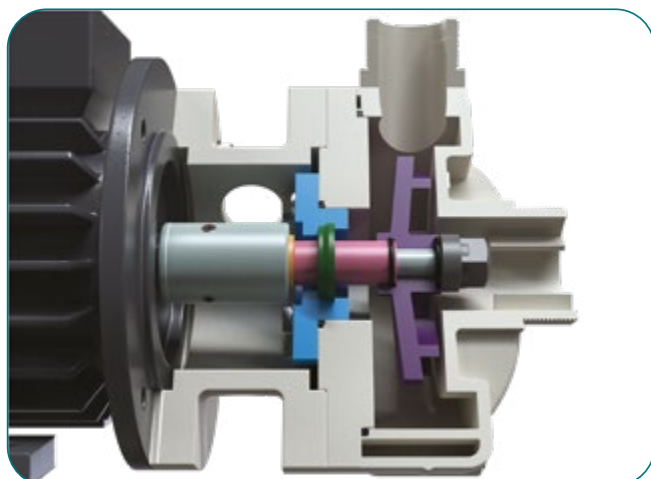
<b>POLYPROPYLENE (with glass additive)</b>	3.8 Kg*
	Temp. 0°C min. +70°C max
<b>PVDF (with carbon additive)</b>	4.9 Kg*
	Temp. -10°C min. +100°C max

\* The weights refer to the pump without the motor  
 \*\*Measurements should be taken with agitated water; temperatures may vary depending on the conditions of the system and/or the processed liquid

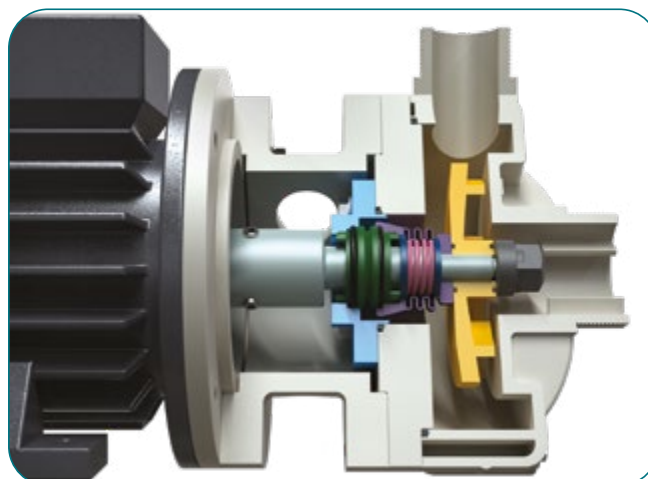
### STANDARD ELECTRIC MOTOR:

Kw	2.2
HP	3
Constructive Form	B3 + B5
RPM	2900 / 3600
<b>Three-phase 230/400 V</b>	-
50/60 Hz	-
2 poles	-
Efficiency class	IE3
Protection	IP55
Ambient temperature	-30°C + 45°C
Aluminium/Cast iron	-
<b>Single-phase (up to 3 kw)</b>	on request
ATEX	on request

### TL = LIP SEAL

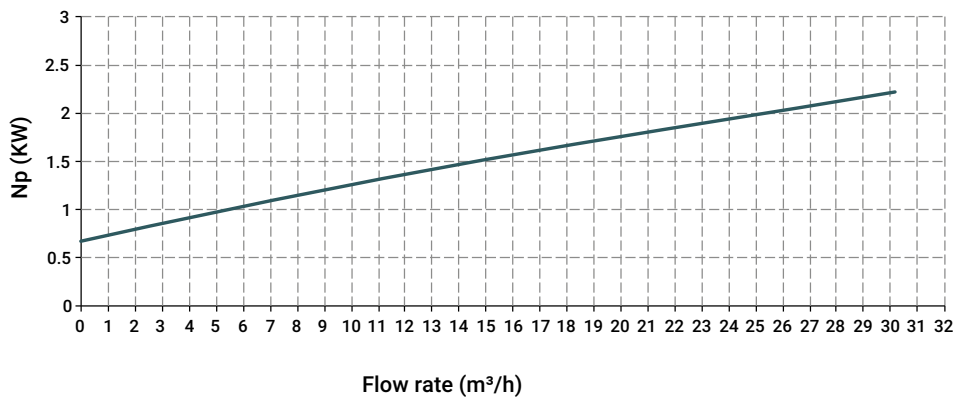
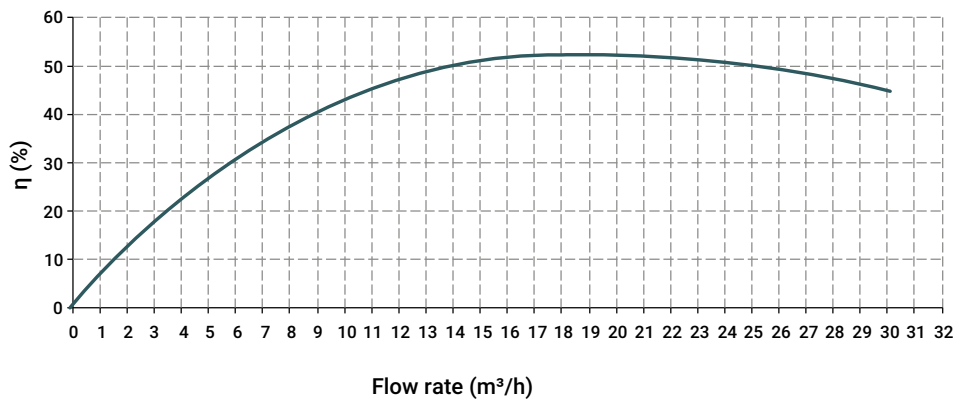
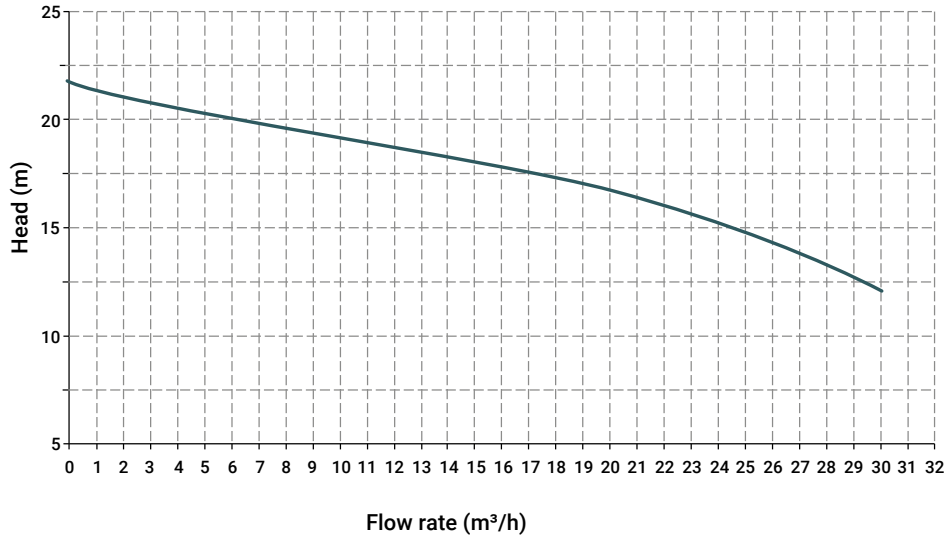


### TS = TBELLOWS SEAL



# MB 130

## Specifications and types



The curves and performances refer to tested pumps, with water at 20 °C, two-pole motor 50 Hz (2900rpm)

# MB 130

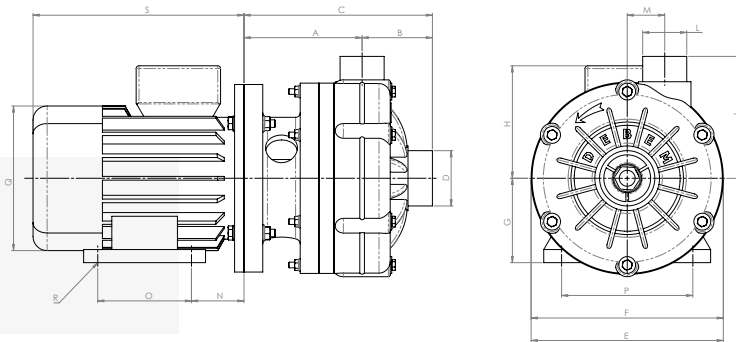
## Specifications and types

Length measurements in mm

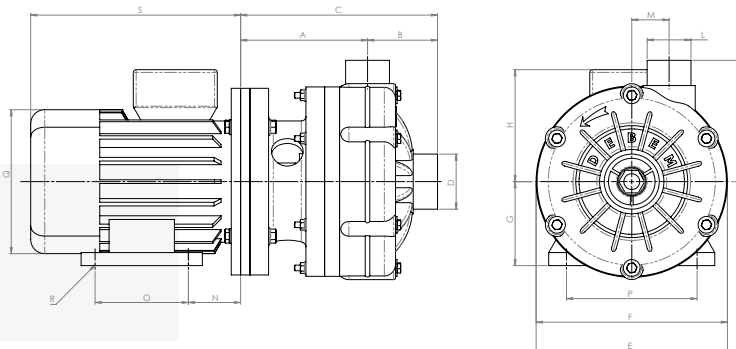
MOD.	TEN.	POWER	Ø PASS. SOLIDS.	A	B	C	D	E	F	G	H	I	L	M	N	O	P	Q	R	S*
MB 130	TL	2,2 KW - 3 HP	6	136	75	211	2" m(**) o DN 50	200	203	90	138	130	1"1/2 m (**) o DN 40	40	56	100	140	167	10	250
MB 130	TS	2,2 KW - 3 HP	6	146	75	221	2" m(**) o DN 50	200	203	90	138	130	1"1/2 m (**) o DN 40	40	56	100	140	167	10	250

\* Measurements may vary depending on the motor supplier.

### SEAL TL



### SEAL TS



### Sealing O-ring materials

- EPDM
- VITON®

### Packaging

- Wooden case size cm 61 x 28 x 42 - Weight 10 Kg  
(the weight refers only to the packaging without the pump inside)

### Accessories

- FLANGE KIT (DIN standard - ANSI on request)
- Basket filter in Polypropylene or PVDF



UNDER HEAD USE