

MB 140



Specifications and types

| | |
|------------------------|------------------------|
| Suction fittings | 2" m BSPP or DN 50 |
| Delivery fittings | 1 1/2" m BSPP or DN 40 |
| Max. flow rate | 38 m3/h |
| Max. head | 23 m |
| Viscosity up to | 500 cps |
| Standard open impeller | Ø 130 mm H 14 mm * |
| Solids passing | Ø max 12 mm |

* Special versions are available on request for the fluid pumped



**PLASTIC MATERIAL
PP**



MATERIALS OF CONSTRUCTION PUMP CASING, OPERATING TEMPERATURES** AND NET WEIGHT

| | | |
|--|-------|--------------------------------|
| POLYPROPYLENE (with glass additive) | 4 Kg* | Temp. 0°C min. +70°C max |
| PVDF (with carbon additive) | 5 Kg* | Temp. -10°C min. +100°C max |

* The weights refer to the pump without the motor
**Measurements should be taken with agitated water; temperatures may vary depending on the conditions of the system and/or the processed liquid

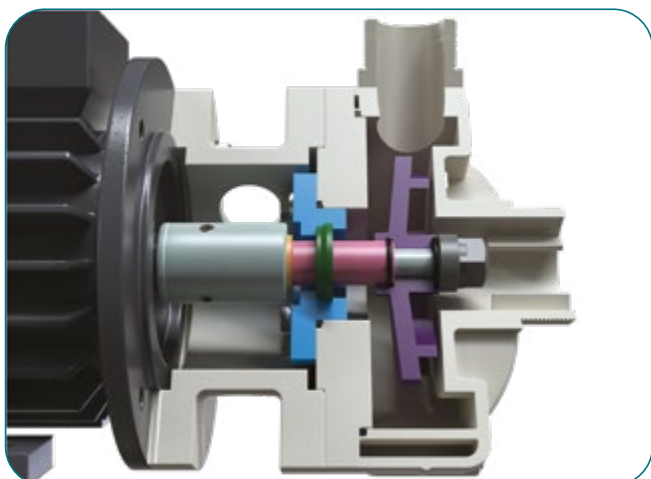
STANDARD ELECTRIC MOTOR:

| | |
|----------------------------------|--------------|
| Kw | 3 |
| HP | 4 |
| Constructive Form | B3 + B14 |
| RPM | 2900 / 3600 |
| Three-phase 230/400 V | - |
| 50/60 Hz | - |
| 2 poles | - |
| Efficiency class | IE3 |
| Protection | - |
| Ambient temperature | -30°C + 45°C |
| Aluminium/Cast iron | - |
| Single-phase (up to 3 kw) | on request |
| ATEX | on request |

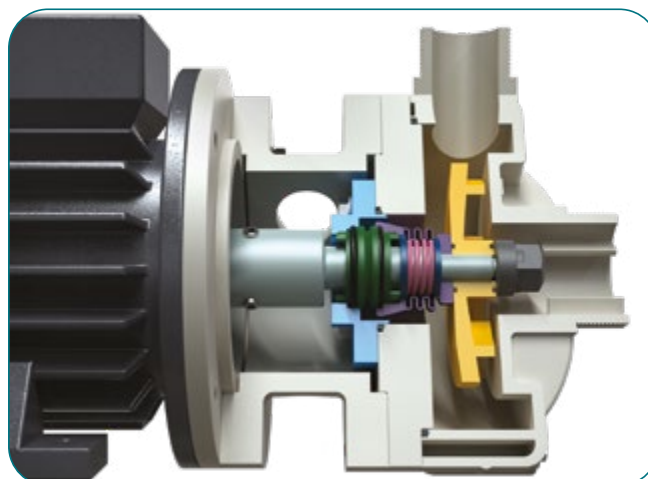


**PLASTIC MATERIAL
PVDF**

TL = LIP SEAL

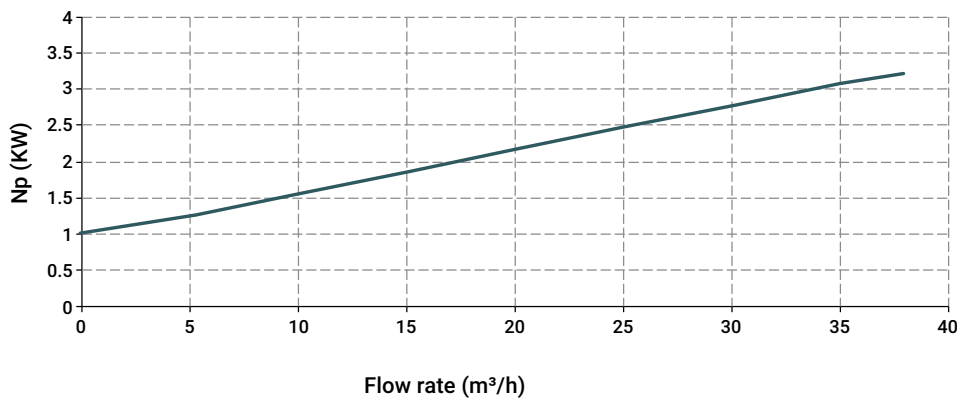
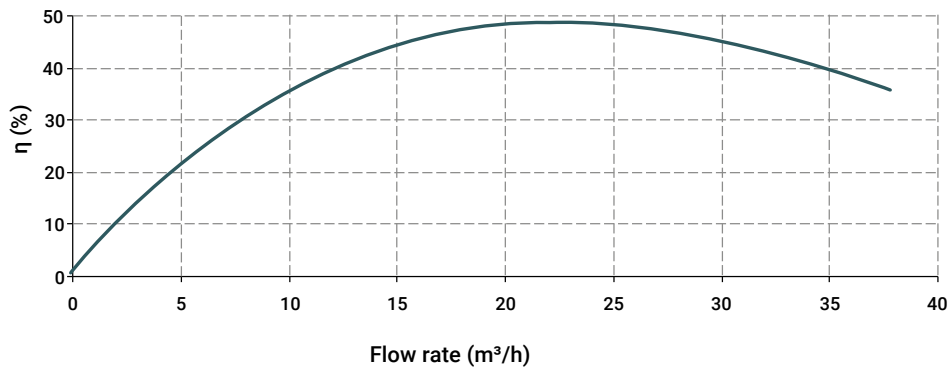
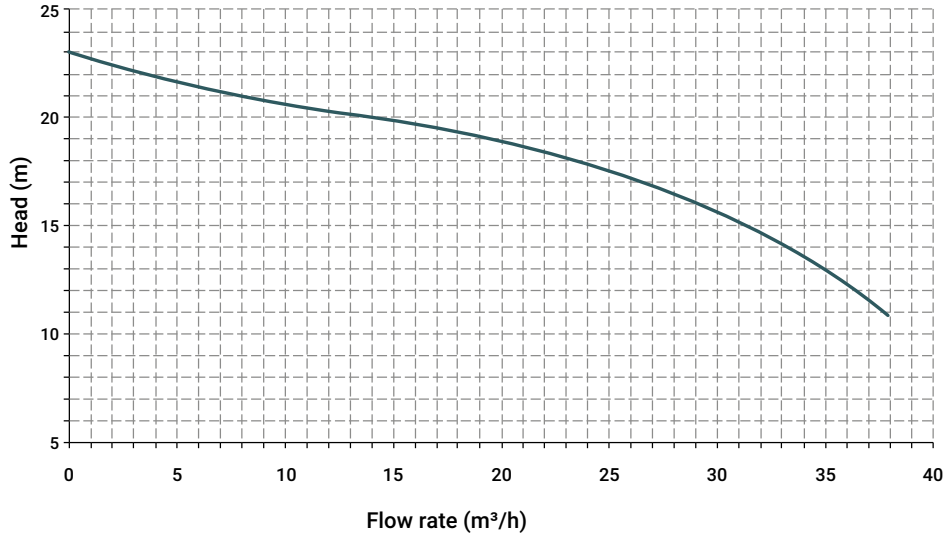


TS = TBELLOWS SEAL



MB 140

Specifications and types



The curves and performances refer to tested pumps, with water at 20 °C, two-pole motor 50 Hz (2900rpm)

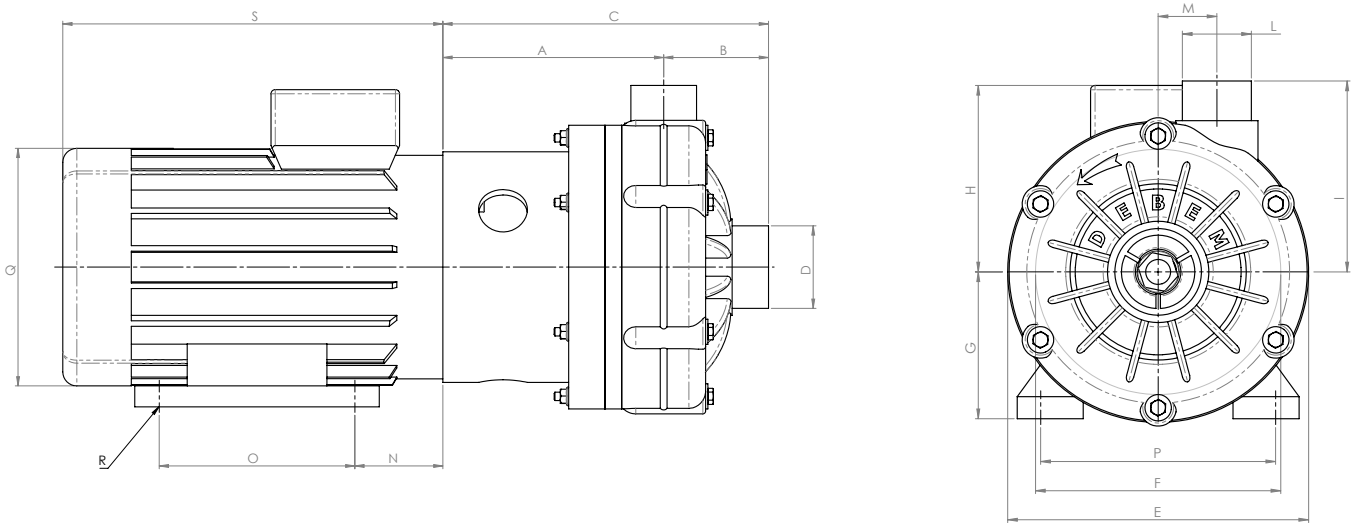
MB 140

Specifications and types

Length measurements in mm

| MOD. | TEN. | POWER | Ø PASS. SOLIDS. | A | B | C | D | E | F | G | H | I | L | M | N | O | P | Q | R | S* |
|--------|---------|-------------|-----------------|-----|----|-----|------------------|---|-----|----|-----|-----|-------------------------|----|----|-----|-----|-----|----|-----|
| MB 140 | TL - TS | 3 KW - 4 HP | 12 | 158 | 75 | 233 | 2" m(**) o DN 50 | - | 203 | 90 | 138 | 130 | 1"1/2 m (**) o DN 40 | 40 | 56 | 125 | 140 | 167 | 10 | 275 |

* Measurements may vary depending on the motor supplier.



Sealing O-ring materials

- EPDM
- VITON®

Packaging

- Wooden case size cm 64 x 28 x 42 - Weight 10 Kg
(the weight refers only to the packaging without the pump inside)

Accessories

- FLANGE KIT (DIN standard - ANSI on request)
- Basket filter in Polypropylene or PVDF



UNDER HEAD USE