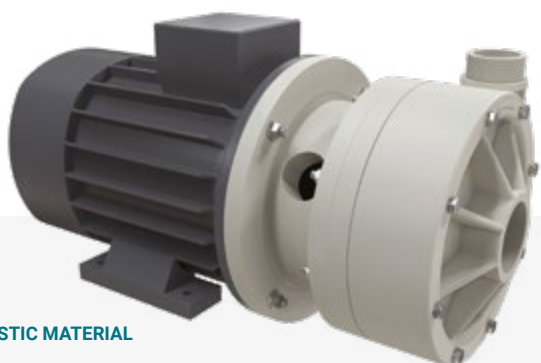


MB 155

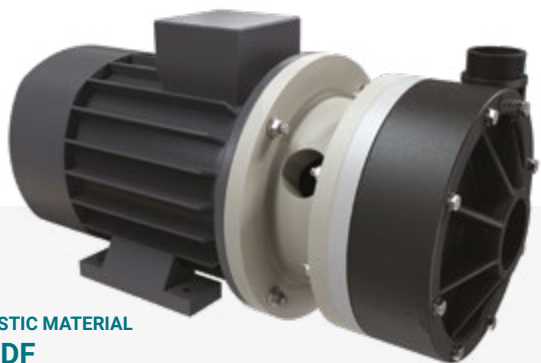
Specifications and types

Suction fittings	2"1/2 f BSPP or DN 65
Delivery fittings	2" BSPP m or DN 50
Max. flow rate	60 m ³ /h
Max. head	26 m
Viscosity up to	500 cps
Standard open impeller	Ø 162 mm H 5 mm -10 ° *
Solids passing	Ø max 3 mm

* Special versions are available on request for the fluid pumped



PLASTIC MATERIAL
PP



PLASTIC MATERIAL
PVDF



MATERIALS OF CONSTRUCTION PUMP CASING, OPERATING TEMPERATURES** AND NET WEIGHT

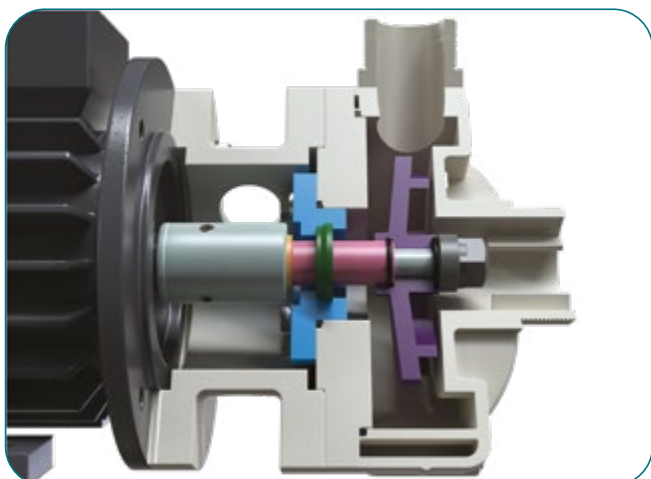
POLYPROPYLENE (with glass additive)	9.5 Kg*
	Temp. 0°C min. +70°C max
PVDF (with carbon additive)	12.4 Kg*
	Temp. -10°C min. +100°C max

* The weights refer to the pump without the motor
**Measurements should be taken with agitated water; temperatures may vary depending on the conditions of the system and/or the processed liquid

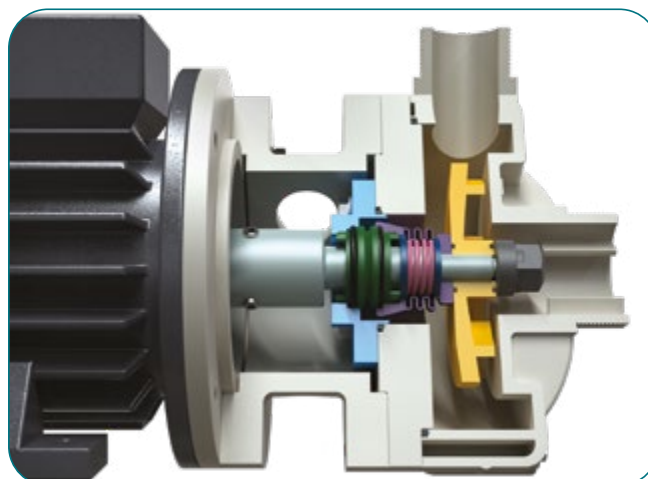
STANDARD ELECTRIC MOTOR:

Kw	5.5
HP	7.5
Constructive Form	B3 + B5
RPM	2900
Three-phase 400/690 V	-
50/60 Hz	-
2 poles	-
Efficiency class	IE3
Protection	IP55
Ambient temperature	-30°C + 45°C
Aluminium/Cast iron	-
ATEX	on request

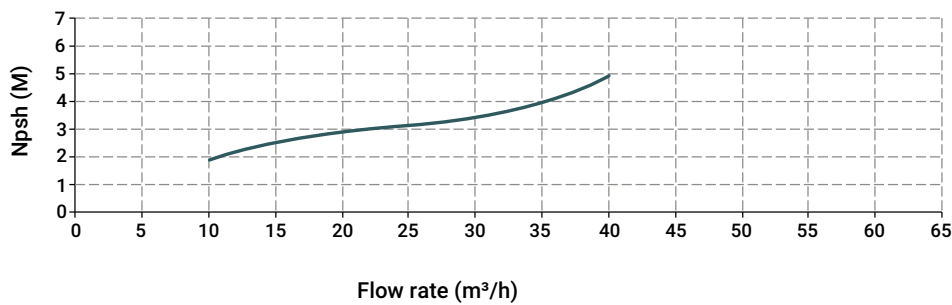
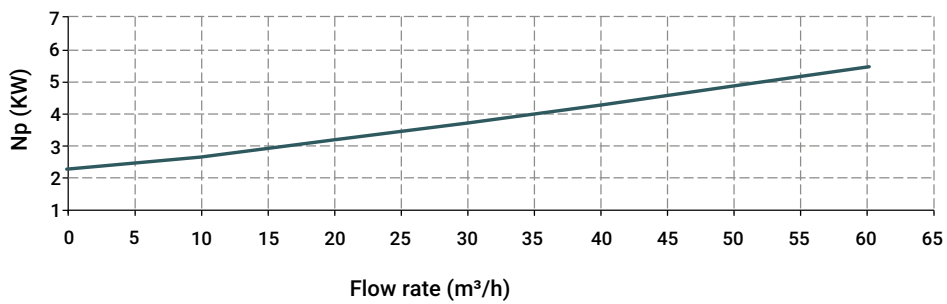
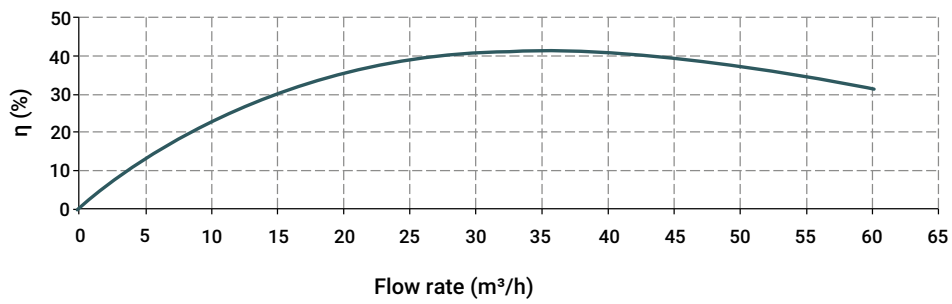
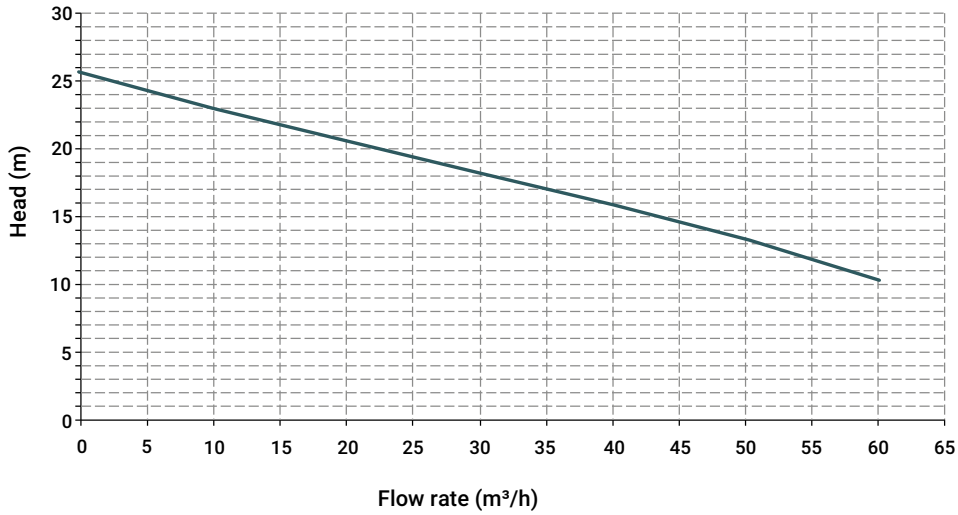
TL = LIP SEAL



TS = TBELLOWS SEAL



Specifications and types



The curves and performances refer to tested pumps, with water at 20 °C, two-pole motor 50 Hz (2900rpm)

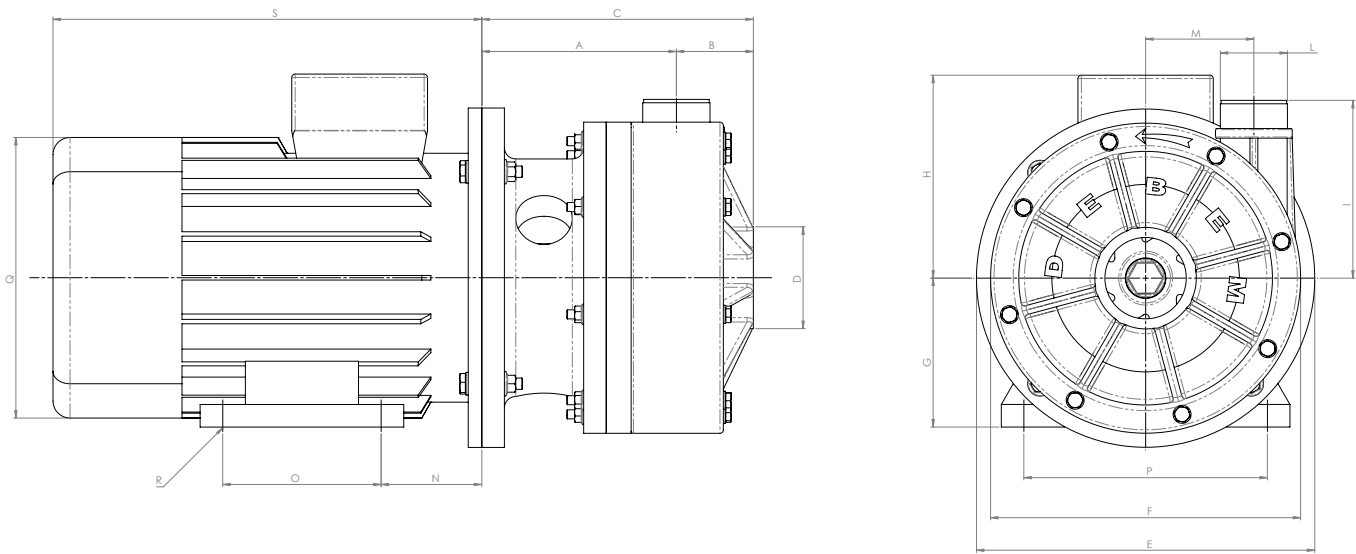
MB 155

Specifications and types

Length measurements in mm

MOD.	TEN.	POWER	Ø PASS. SOLIDS.	A	B	C	D	E	F	G	H	I	L	M	N	O	P	Q	R	S*
MB 155	TL - TS	5,5 KW - 7,5 HP	3	172	68	240	2"1/2f(**) o DN 65	300	275	132	190	158	2" m (**) o DN 50	96	89	140	216	256	12	385

* Measurements may vary depending on the motor supplier.



Sealing O-ring materials

- EPDM
- VITON®

Packaging

- Wooden case size cm 73 x 40 x 46 - Weight 14 Kg
(the weight refers only to the packaging without the pump inside)

Accessories

- FLANGE KIT (DIN standard - ANSI on request)
- Basket filter in Polypropylene or PVDF



UNDER HEAD USE