

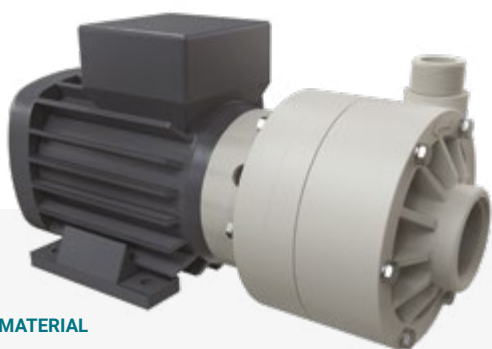
MB 80



Specifications and types

Suction fittings	1"1/2 f BSPP or DN 40
Delivery fittings	1" m BSPP or DN 25
Max. flow rate	6 m3/h
Max. head	7.5 m
Viscosity up to	500 cps
Standard open impeller	Ø 85 mm H 9 mm *
Solids passing	Ø max 5 mm

* Special versions are available on request for the fluid pumped



**PLASTIC MATERIAL
PP**



**PLASTIC MATERIAL
PVDF**



MATERIALS OF CONSTRUCTION PUMP CASING, OPERATING TEMPERATURES** AND NET WEIGHT

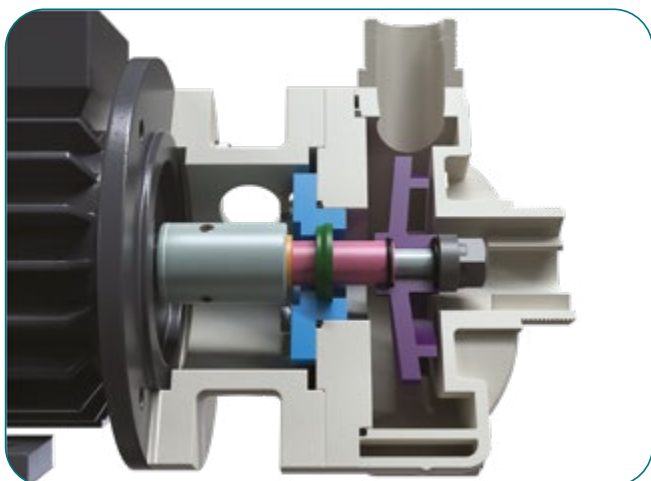
POLYPROPYLENE (with glass additive)	1.7 Kg* Temp. 0°C min. +70°C max
PVDF (with carbon additive)	2.2 Kg* Temp. -10°C min. +100°C max

* The weights refer to the pump without the motor
**Measurements should be taken with agitated water; temperatures may vary depending on the conditions of the system and/or the processed liquid

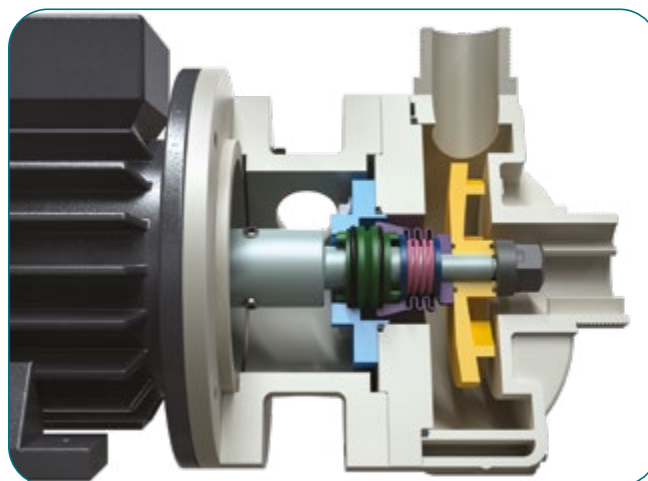
STANDARD ELECTRIC MOTOR:

Kw	0.37
HP	0.5
Constructive Form	B3 + B14
RPM	2900 / 3600
Three-phase 230/400 V	-
50/60 Hz	-
2 poles	-
Efficiency class	IE2
Protection	IP55
Ambient temperature	-30°C + 45°C
Aluminium/Cast iron	-
Single-phase (up to 3 kw)	on request
ATEX	on request

TL = LIP SEAL

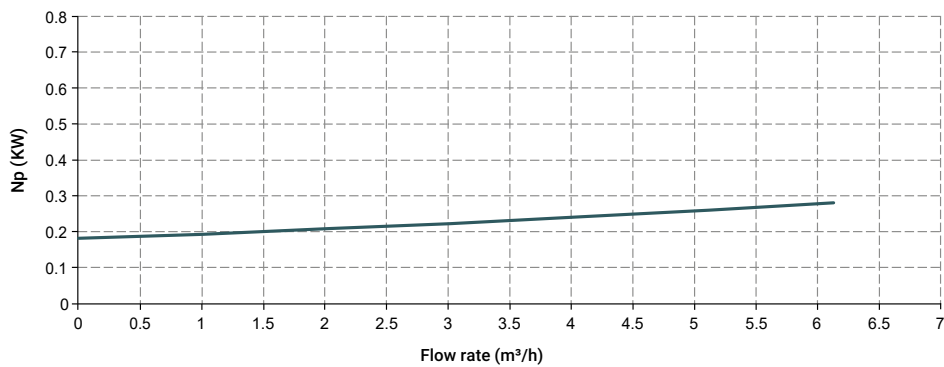
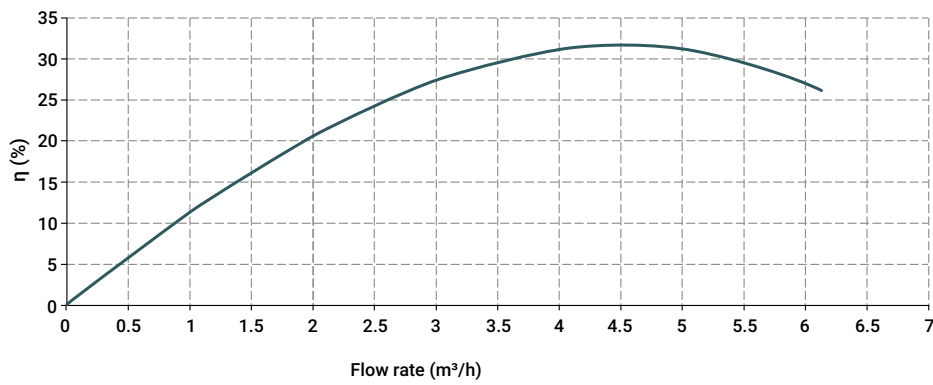
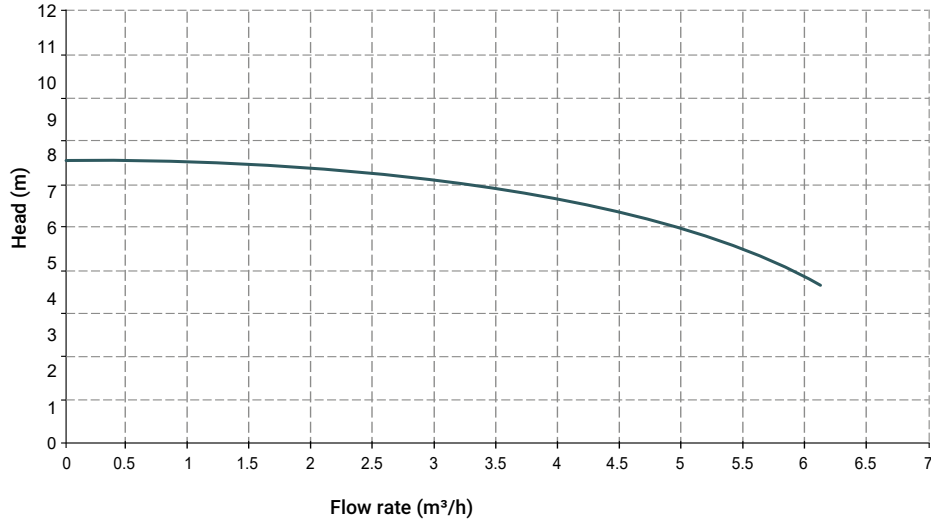


TS = TBELLOWS SEAL



MB 80

Specifications and types



The curves and performances refer to tested pumps, with water at 20 °C, two-pole motor 50 Hz (2900rpm)

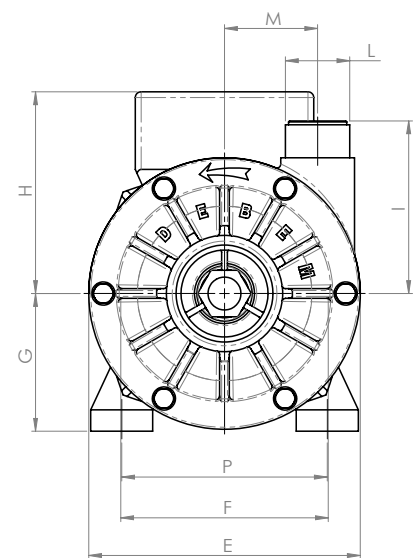
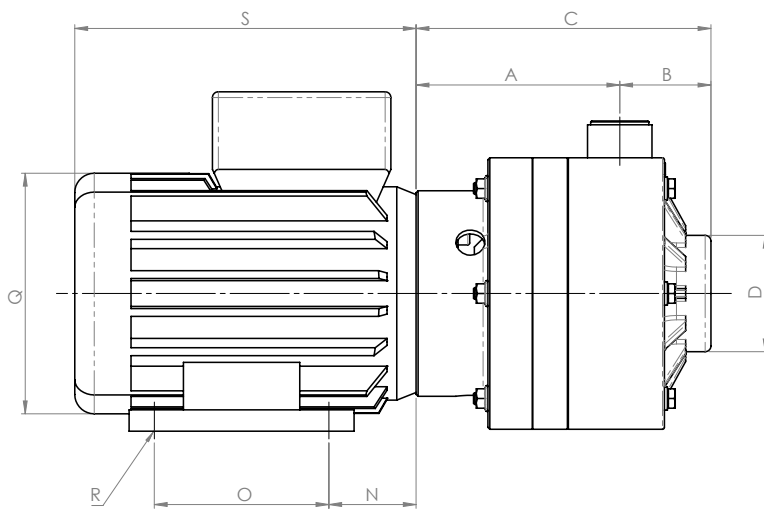
MB 80

Specifications and types

Length measurements in mm

MOD.	TEN.	POWER	Ø PASS. SOLIDS	A	B	C	D	E	F	G	H	I	L	M	N	O	P	Q	R	S*
MB 80	TL - TS	0,37 KW - 0,5 HP	5	105	47	152	1"1/2 f(**) o DN 40	-	140	71	114	89	1"m (**) o DN 25	48	45	90	112	135	7	225

* Measurements may vary depending on the motor supplier.



Sealing O-ring materials

- EPDM
- VITON®

Packaging

- Pump with 2,2 Kw motor
- Wooden case size cm 50 x 25 x 35 - Weight 7 Kg (the weight refers only to the packaging without the pump inside)

Accessories

- FLANGE KIT (DIN standard - ANSI on request)
- Basket filter in Polypropylene or PVDF



UNDER HEAD USE