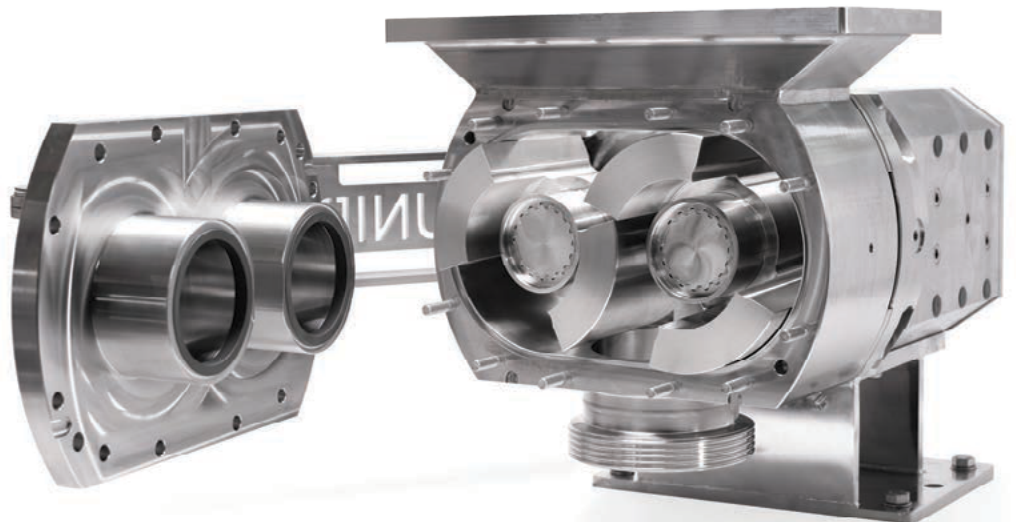


IMPROVING FOOD SAFETY



QuickStrip[®]
FoodFirst Pumps



Unibloc's **QuickStrip FoodFirst** series pumps are the first of their kind designed to **MINIMIZE FOREIGN MATERIAL RISK** and maximize food and worker safety—top priorities among food processing professionals.

ELIMINATE FOREIGN MATERIAL

No Tools Needed

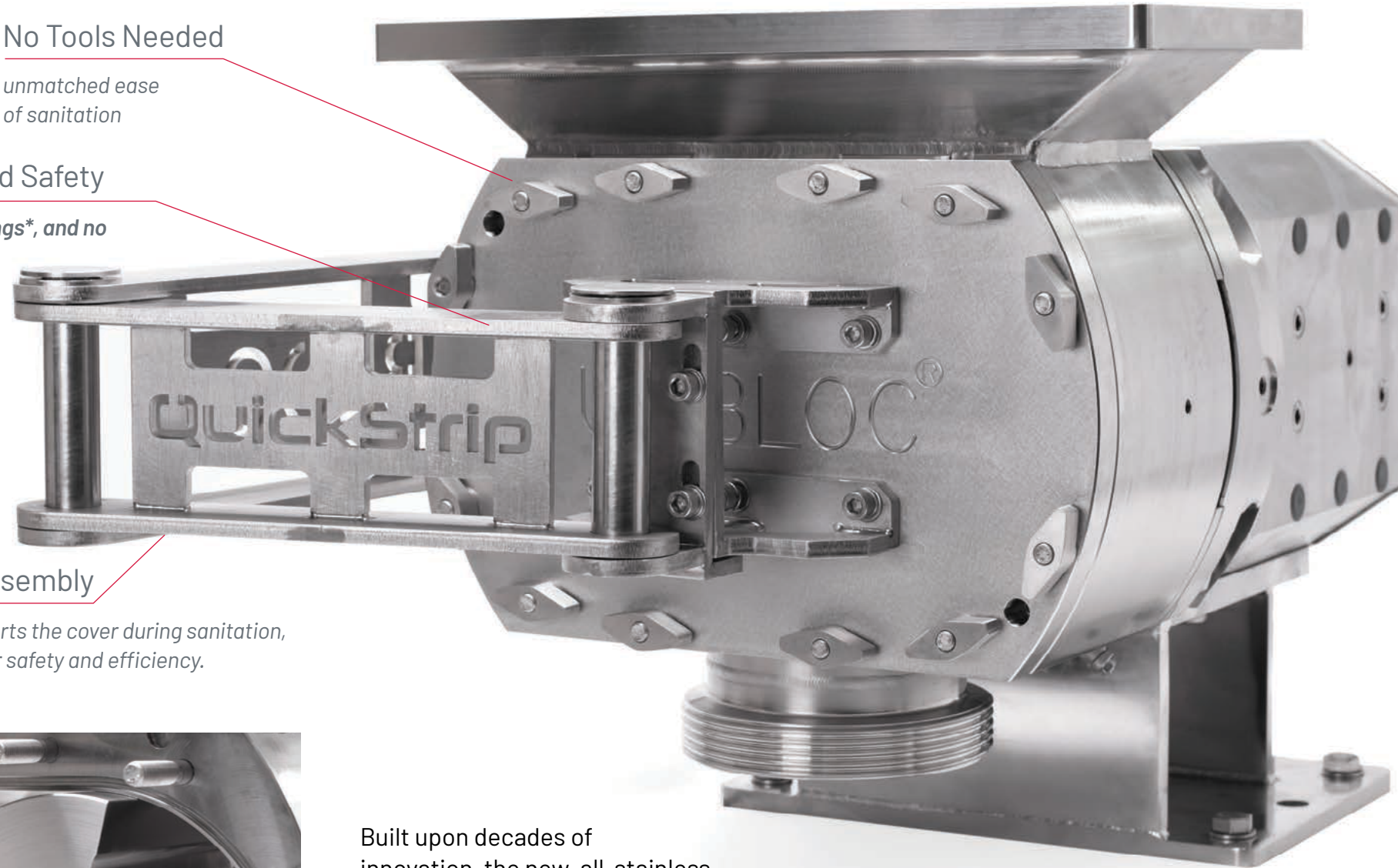
unmatched ease of sanitation

Improving Food Safety

No plastics, no o-rings, and no rotor bolts*

Easier Disassembly

Swing arm supports the cover during sanitation, improving worker safety and efficiency.



ELIMINATE FOREIGN MATERIAL

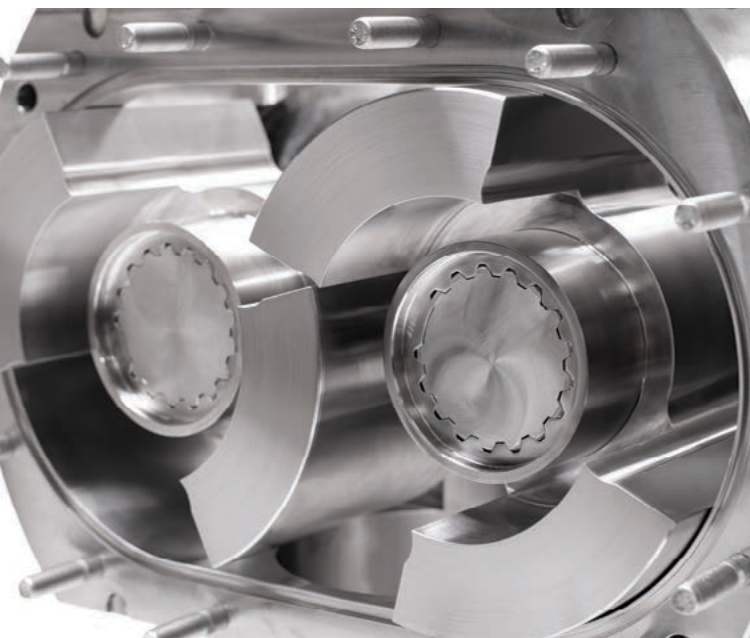
Fewer components and greater detectability help ensure the highest level of food safety. **No plastics, no o-rings*, and no rotor bolts help eliminate foreign material at their source** and ensure maximum metal and x-ray detectability.

SANITATION CREW-PROOF

Unibloc's patented and proven QuickStrip design targets the sanitation cycle, the cause of most damage to equipment and common source of foreign material. Simple, repeatable, one-way assembly guarantees proper performance and reduces foreign material from improper handling.

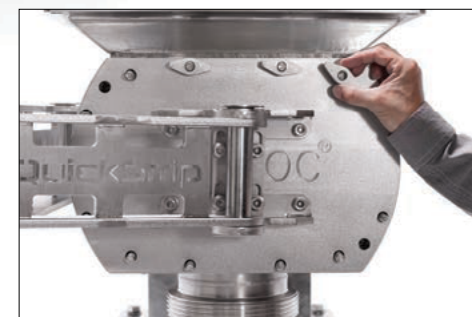
IMPROVED WORKER SAFETY

The innovative Safety Swing Arm makes disassembly for cleaning easier and safer than ever. The swing arm supports the cover during sanitation, improving worker safety and efficiency.



Built upon decades of innovation, the new, all-stainless **QuickStrip FoodFirst** is designed to simplify sanitation and reduce wear and tear during cleaning. Tool-free design requires no tools for disassembly, reducing damage and minimizing foreign material risk for unmatched ease of sanitation.

**Consult a Unibloc Pump sales rep. to configure best FoodFirst pump option for your needs.*



IMPROVING FOOD SAFETY THROUGH INNOVATION.

Customers already using Unibloc also have the option for a FoodFirst retrofit. Ask us about our FoodFirst upgrade program.

Unibloc Hygienic Technologies provides a broad portfolio of powerful solutions for companies around the world.



unibloctech.com



UNI-202212 Copyright © 2022 Unibloc Hygienic Technologies Patented Designs Shown